

LIGHTNIN[®] CLASSIC Clamp-Mount and Fixed-Mount Mixers

Proven
performance.
Guaranteed
results.



YOU AND LIGHTNIN. THE RIGHT MIX.

LIGHTNIN

High shear. High Flow. High performance.

For your high shear or high flow mixing applications, there's a time-tested *LIGHTNIN*[®] CLASSIC Clamp-Mount or Fixed-Mount Mixer that's right for you. In fact, there have been more *LIGHTNIN* CLASSIC Mixers installed throughout the world than any other single mixer model.

How to make a great mixer even better.

Over the years, the original CLASSIC design has been enhanced in hundreds of subtle, but meaningful ways. As a result, the CLASSIC Mixer you purchase today reflects decades of continual improvement based upon years of actual performance history in just about every known fluid mixing application. And with *LIGHTNIN*'s exclusive 100% performance guarantee, you buy with complete confidence, just as hundreds of thousands of satisfied customers have done before you.

LIGHTNIN's exclusive 100% performance guarantee.

When you partner with *LIGHTNIN*, you buy with confidence, knowing your CLASSIC mixer will perform to your complete satisfaction.

LIGHTNIN's 100% performance guarantee says a lot about these mixers and your *LIGHTNIN* sales engineer. In addition, all CLASSIC mixers are backed by *LIGHTNIN*'s standard mixer warranty.

Call your *LIGHTNIN* sales engineer to discuss your mixer selection to qualify for your application guarantee.

Match the CLASSIC Mixer to Your Application

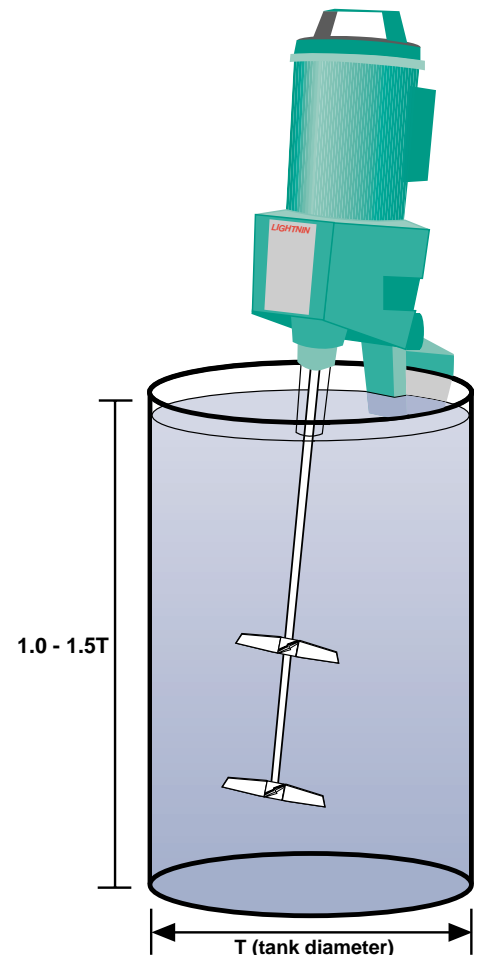
Table based on tank where liquid level is within 1.5 times tank diameter. There is no single mixer selection for any given application; mixer selection may vary with temperatures, retention times, tank shapes and specific application requirements.

Viscosity/Gallongeage

Viscosity (Centipoise)	Gallongeage										
	25	50	100	200	500	1000	2000	3000	5000	10000	15000
1.0	S1U10	S1U10	S1U10	XD30	XD30	XJ30	XJ30	XJ43	XJ65	XL100D	XL100F
100	S1U10	XD30	XD30	XD30	XJ30	XJ30	XJ30	XJ65	XJ87	XL100D	XL150F
250	S1U10	XD30	XD30	XJ30	XJ30	XJ43	XJ65	XJ87	XJ117	XK200F	XL300F
500	S1U10	XD30	XJ30	XJ30	XJ30	XJ65	XJ87	XJ117	XJ174	XL100H	XL200F
1,000	XD43	XJ30	XJ30	XJ43	XJ65	XJ87	XJ117	XJ174	XJ230	XL200F	
2,500	XJ30	XJ30	XJ65	XJ87	XJ117	XJ117	XJ174	XJ230	XL200F		
5,000	XJ30	XJ65	XJ87	XJ117	XJ174	XJ230	XJ350	XL200F			
15,000	XJ65	XJ87	XJ117	XJ174	XJ350	XL200F					

For Model S1U10 mixer, see Bulletin B-536.

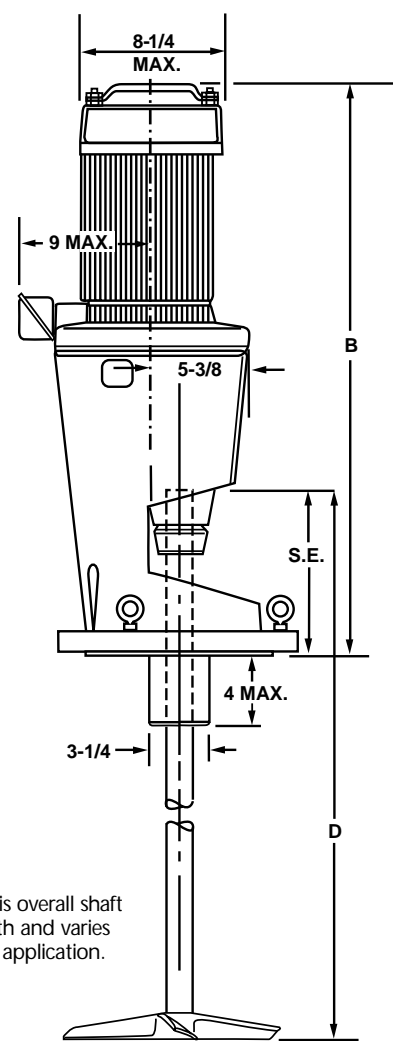
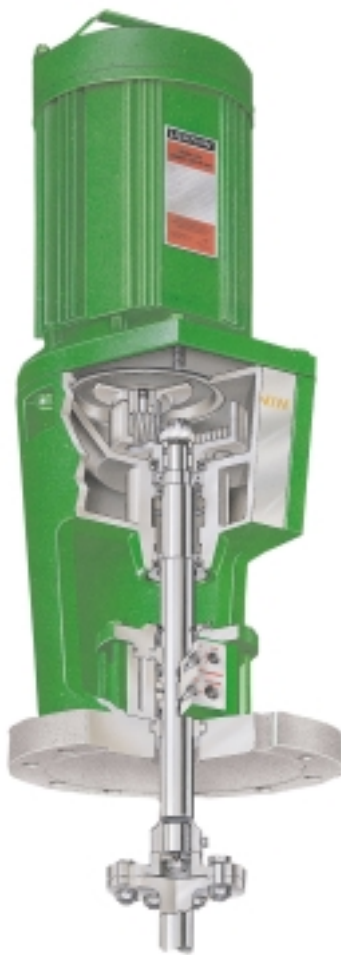
Typical Viscosity Values at 70° F	
	Centipoise
Water	1
Gasoline	8
Kerosene	10
Sulfuric acid	25
Blood	50
Sae 10 oil	60
Olive oil	100
Glucose	500
Paint	500
Castor oil	1000
Glycerine	1500
Glycerol	1500
Catsup	3000
Molasses	3000
Honey	5000
Corn syrup	5000



Fixed-mount XJC Series for closed tanks

Features removable coupling for added stability in applications requiring long overhung shafts.

- Coupling is rabbetted and keyed to assure positive alignment.
- Standard ASA 150# series flanges are available in solid steel or steel faced with 316 stainless. Other materials and special flanges are available.
- Standard 150 psig stuffing box features 7 rings of die-molded packing with separators; a lubricant distributing GFT lantern ring, grease fitting and adjustable 316SS packing gland. Available accessories include cooling or heating jacket.
- Optional stuffing box for lower pressures features 2 rings of die-molded packing and a packing gland.
- See XJ Series for common mixer features.

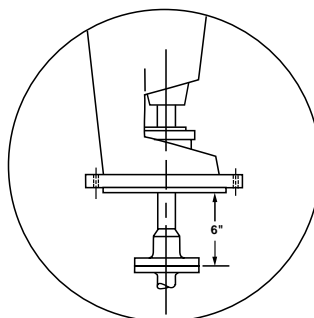


"D" is overall shaft length and varies with application.

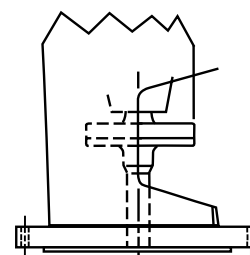
Fixed-mount series for closed tanks

With double mechanical seals

- XJSS single mechanical seal unit (requires alternate coupling construction as shown).
- XJDS double mechanical seal unit.
- Mechanical seal provides maximum sealing with minimum maintenance.
- See XJ and XJC Series for common mixer features.



MODEL XJDS ONLY



ALTERNATE COUPLING CONSTRUCTION

FIXED-MOUNT, GEAR DRIVE XJC SERIES AND XJDS SERIES (DOUBLE SEAL) HIGH FLOW MIXERS FOR CLOSED TANKS						
Stuffing Box Model	Mechanical Seal Model	HP	Max. Wt. Lbs.	S.E.	B Max.	Std. Mtg. Flange ASA*
XJC30	XJDS30	.30	105	9.5	27.5	5
XJC43	XJDS43	.43	120		27.13	
XJC65	XJDS65	.65	170		28.13	
XJC87	XJDS87	.87	180	10.13	29.25	6
XJC117	XJDS117	1.17	190			
XJC174	XJDS174	1.74	215			
XJC230	XJDS230	2.30	225	10.25	32.5	8
XJC350	XJDS350	3.50	235			

* 150# flange drilling. Bolt holes straddles centerline. Special flanges available.