

Performance Data for Horizontal Above NEMA Motors ANSS-61000-0706

WPI ENCLOSURE
60 Hertz - 4000 Volt

AC Squirrel-Cage Induction
 1.0 Service Factor
 Class F Insulation
 80 deg. C Rise by Resistance
 40 deg. C Ambient

Typical Data - Not Guaranteed																	
HP	RPM	Voltage	Frame	FL RPM	NLA	FLA	LRA	KVA CODE	Efficiency			Power Factor			FLT (ft.lb)	LRT (ft.lb)	BDT (ft.lb)
									100%	75%	50%	100%	75%	50%			
200	3600	4000	508	3570	7.0	28.0	169	G	93.6	93.4	92.4	88.5	86.7	81.4	295	235	665
200	1800	4000	508	1780	10.0	27.0	175	G	93.4	93.5	92.7	85.4	82.2	74.1	590	475	1450
200	1200	4000	508	1180	9.5	27.5	178	G	92.8	93.3	93.0	84.4	81.5	73.5	890	980	1850
200	900	4000	508	885	34.7	29.7	158	G	92.8	93.3	93.1	78.2	73.2	62.2	1187	1431	2648
250	3600	4000	508	3570	10.0	33.0	214	G	93.8	93.5	92.4	87.0	84.5	77.6	368	310	860
250	1800	4000	508	1780	15.0	35.5	220	G	93.3	93.4	92.6	81.3	77.0	67.1	738	555	1700
250	1200	4000	508	1180	11.0	34.0	220	G	93.1	93.6	93.5	85.0	82.6	75.3	1113	1200	2235
250	900	4000	508	886	16.2	36.9	212	G	93.1	93.8	93.4	78.3	73.0	61.8	1482	2013	3577
300	3600	4000	508	3565	12.0	39.5	250	G	93.8	93.8	93.0	87.2	85.1	78.9	442	350	925
300	1800	4000	508	1780	15.0	41.5	265	G	93.6	93.9	93.3	83.2	79.8	71.3	885	710	2040
300	1200	4000	508	1180	12.0	40.0	260	G	93.5	94.1	94.0	86.4	84.2	77.5	1335	1470	2760
300	900	4000	5010	886	19.5	44.1	265	G	93.5	93.9	93.7	78.4	93.0	61.7	1778	2569	4498
350	3600	4000	508	3560	13.5	47.0	265	G	93.2	93.2	92.3	86.0	84.2	78.1	516	365	1005
350	1800	4000	508	1780	16.0	47.0	305	G	94.1	94.3	93.8	85.2	82.2	74.4	1033	880	2460
350	1200	4000	508	1180	13.0	46.5	300	G	93.6	94.3	94.5	86.6	85.2	79.5	1558	1715	3120
350	900	4000	5010	885	21.3	50.9	294	G	93.4	93.9	93.8	79.3	74.4	63.7	2076	2895	4982
400	3600	4000	508	3565	14.5	52.0	325	G	94.0	94.0	93.2	88.1	86.2	80.4	590	470	1300
400	1800	4000	508	1780	16.0	54.0	345	G	94.0	94.5	94.3	84.9	82.9	76.5	1180	825	2360
400	1200	4000	508	1180	15.0	53.0	344	G	93.8	94.5	94.6	86.7	85.1	79.2	1780	1960	3600
400	900	4000	5010	890	26.4	59.1	345	G	94.0	94.4	94.1	77.5	74.1	60.8	2360	3134	5179
450	3600	4000	508	3565	18.0	59.5	370	G	94.0	93.9	93.0	86.6	84.3	77.7	663	530	1415
450	1800	4000	508	1780	17.0	60.0	384	G	94.3	94.7	94.6	85.7	83.9	76.6	1328	1000	2660
450	1200	4000	5010	1180	16.5	59.5	386	G	93.9	94.6	94.7	86.8	85.1	79.3	2003	2200	4120
450	900	4000	588	890	25.0	65.0	409	G	93.7	94.1	93.7	79.5	76.0	66.7	2655	2855	6350
500	3600	4000	508	3560	18.0	66.0	375	G	94.0	94.1	93.4	86.8	85.2	79.6	738	515	1440
500	1800	4000	508	1780	19.5	68.0	425	G	94.1	94.6	94.5	84.1	82.3	75.9	1475	1105	2950
500	1200	4000	5010	1180	17.0	65.0	422	G	94.2	94.9	95.2	88.0	86.7	81.6	2225	2450	4500
500	900	4000	588	890	27.0	71.0	454	G	93.8	94.2	93.8	80.8	77.1	67.9	2950	3380	7000
600	3600	4000	508	3560	20.0	78.0	455	G	94.5	94.7	94.1	87.6	86.2	81.0	885	660	1770
600	1800	4000	508	1780	24.5	81.0	517	G	94.4	94.9	94.8	84.5	82.3	75.5	1770	1415	3545
600	1200	4000	5010	1180	19.0	78.5	510	G	94.1	94.9	95.3	87.5	86.7	82.2	2670	3000	5340
600	900	4000	5810	890	33.0	86.0	545	G	94.1	94.3	93.9	79.8	76.0	66.6	3540	4050	8400
700	3600	4000	508	3555	22.0	92.0	480	F	94.2	94.5	94.0	87.0	86.1	81.7	1034	895	1860
700	1800	4000	5010	1780	28.0	93.0	600	G	94.7	95.1	95.0	85.8	83.4	76.5	2065	1850	4585
700	1200	4000	588	1185	25.0	92.0	595	G	94.3	94.7	94.6	86.9	85.3	79.7	3102	3102	7065
700	900	4000	5810	890	38.0	100	606	G	94.2	94.4	94.0	80.0	76.4	67.2	4130	4940	9800
800	3600	4000	508	3560	24.0	103	587	G	94.6	94.9	94.5	88.4	87.5	83.1	1180	885	2240
800	1800	4000	5010	1780	29.0	105	680	G	94.9	95.3	95.2	86.5	84.7	78.9	2360	2125	5190
800	1200	4000	5810	1180	24.0	105	680	G	94.2	94.9	95.0	87.2	86.5	82.3	3560	3560	7200
800	900	4000	5810	890	40.0	112	715	G	94.3	94.5	94.1	81.5	78.5	70.3	4720	5650	10400
900	3600	4000	5010	3555	23.0	114	630	F	94.8	95.2	95.0	89.3	89.0	86.0	1330	945	2460
900	1800	4000	5010	1780	34.0	115	713	G	94.9	95.3	95.3	85.4	83.4	77.0	2655	2390	5365
900	1200	4000	5810	1185	33.5	119	850	H	94.6	95.0	94.9	86.0	84.2	78.0	3988	3988	8000
900	900	4000	5812	890	46.0	127	815	G	94.2	94.4	93.9	81.0	77.9	69.3	5309	6355	11700

Performance Data for Horizontal Above NEMA Motors ANSS-61000-0706

WPI ENCLOSURE

60 Hertz - 4000 Volt

AC Squirrel-Cage Induction
 1.0 Service Factor
 Class F Insulation
 80 deg. C Rise by Resistance
 40 deg. C Ambient

Typical Data - Not Guaranteed

HP	RPM	Voltage	Frame	FL RPM	NLA	FLA	LRA	KVA CODE	Efficiency			Power Factor			FLT (ft.lb)	LRT (ft.lb)	BDT (ft.lb)
									100%	75%	50%	100%	75%	50%			
1000	3600	4000	5010	3555	26.0	127	740	G	94.8	95.2	95.1	89.4	88.9	85.5	1477	1180	2805
1000	1800	4000	5810	1780	26.0	125	810	G	95.1	95.5	95.3	90.6	89.9	86.3	2950	2800	7335
1000	1200	4000	5810	1185	35.0	131	850	G	94.6	95.2	95.2	86.9	85.5	80.0	4431	4431	8900
1000	900	4000	5812	890	50.0	140	905	G	94.4	94.6	94.1	81.4	78.7	70.7	5900	7080	12770
1250	3600	4000	5010	3570	34.0	157	1020	G	95.7	96.0	96.0	89.6	88.9	85.1	1839	2200	3850
1250	1800	4000	5810	1780	31.0	156	1010	G	95.1	95.5	95.5	90.7	90.2	86.9	3688	3500	8800
1250	1200	4000	5812	1185	40.0	163	1045	G	94.9	95.5	95.6	87.0	85.9	81.0	5538	5538	11100
1250	900	4000	6811	892	50.6	166	1029	G	95.1	95.6	95.4	85.2	83.1	76.2	7360	5152	14720
1500	3600	4000	5810	3570	32.0	181	1170	G	95.8	96.1	96.2	93.1	92.8	90.4	2206	1690	4720
1500	1800	4000	5810	1785	36.0	188	1210	G	95.3	95.7	95.6	90.1	89.9	87.1	4412	3530	10200
1500	1200	4000	5812	1185	51.0	196	1260	G	94.9	95.4	95.5	86.8	85.4	80.0	6646	6646	13300
1500	900	4000	6811	892	55.8	197	1221	G	95.1	95.6	95.6	86.1	84.3	78.2	8832	6182	17664
1750	3600	4000	5810	3570	44.0	215	1395	G	95.6	96.1	96.2	91.7	90.9	87.3	2574	2120	5740
1750	1800	4000	5812	1785	42.0	219	1400	G	95.5	95.9	95.9	90.1	89.9	86.9	5148	4120	11560
1750	1200	4000	6811	1190	48.3	222	1421	G	95.4	95.8	95.8	88.8	88.3	84.5	7724	5407	15448
1750	900	4000	6813	892	62.2	228	1436	G	95.3	95.8	95.8	86.6	85.1	79.3	10304	7213	20608
2000	3600	4000	5810	3575	50.0	248	1610	G	95.7	96.0	95.9	90.7	90.1	86.9	2938	1800	6795
2000	1800	4000	5812	1785	58.0	252	1630	G	95.5	95.9	95.8	89.5	88.6	84.4	5884	5000	14220
2000	1200	4000	6813	1190	54.0	253	1645	G	95.4	95.8	95.8	89.1	88.6	85.0	8627	6179	18537
2000	900	4000	6813	892	70.9	263	1683	G	95.4	95.9	95.9	86.6	85.1	79.3	11776	6243	23552
2250	3600	4000	5812	3575	48.0	272	1765	G	95.9	96.3	96.4	92.9	92.6	90.2	3305	2285	7100
2250	1800	4000	6811	1788	56.9	284	1789	G	95.8	96.1	96.0	89.1	89.0	85.8	6609	3965	13879
2250	1200	4000	6813	1191	62.5	284	1846	G	95.6	96.0	95.9	89.2	88.5	84.6	9922	7938	20836
2250	900	4000	8010	894	86.6	296	1796	G	95.7	96.0	95.8	85.6	83.7	77.3	13241	9910	27749
2500	3600	4000	5812	3575	47.0	303	1965	G	96.1	96.5	96.5	92.5	92.5	90.7	3672	2480	8585
2500	1800	4000	6811	1788	63.2	314	1978	F	96.2	96.4	96.2	89.1	88.9	85.8	7343	4406	15420
2500	1200	4000	6813	1190	68.0	315	2048	G	95.8	96.2	96.2	89.2	88.8	85.3	11034	7724	22068
2500	900	4000	8010	894	89.4	326	1903	F	96.1	96.3	96.1	85.8	84.4	78.8	14687	11015	29374
3000	3600	4000	6811	3581	87.5	376	2258	G	96.1	96.2	95.7	89.3	88.3	83.9	4400	2540	8800
3000	1800	4000	6813	1787	68.4	375	2325	G	96.2	96.5	96.4	89.5	89.7	87.2	8817	5290	17634
3000	1200	4000	8010	1192	93.0	392	2140	E	96.3	96.4	96.1	85.5	83.5	77.2	13210	8980	27741
3000	900	4000	8010	894	112	393	2349	F	96.1	96.4	96.2	85.5	83.9	77.8	17621	13744	37004
3500	3600	4000	6813	3581	92.2	432	2678	G	96.3	96.3	95.9	90.5	89.6	85.9	5132	3079	10777
3500	1800	4000	6813	1788	84.1	437	2841	G	96.3	96.6	96.5	89.6	89.5	86.6	10281	6169	22618
3500	1200	4000	8010	1192	127	456	2445	E	96.4	96.6	96.3	85.7	84.2	78.3	15414	10482	31600
3500	900	4000	8012	894	131	458	2761	F	96.2	96.4	96.3	85.5	83.8	77.7	20558	16446	43171
4000	3600	4000	6813	3582	118	498	3237	G	96.4	96.4	96.1	89.8	88.5	84.0	5865	3812	12903
4000	1800	4000	6813	1788	106	502	3263	G	96.4	96.7	96.5	89.0	88.5	85.0	11749	8224	25848
4000	1200	4000	8012	1193	142	517	2885	F	96.4	96.6	96.4	86.3	84.8	79.0	17613	12329	36967
4000	900	4000	8012	894	137	518	3136	F	96.2	96.5	96.4	86.3	85.1	80.7	23495	18796	46991
4500	3600	4000	6813	3580	112	555	3441	G	96.4	96.5	96.3	90.6	90.1	86.8	6602	4291	13204
4500	1800	4000	8010	1791	130	570	3501	F	96.2	96.3	95.8	88.3	87.6	83.6	13193	7916	29024
4500	1200	4000	8012	1192	152	579	3185	E	96.5	96.7	96.6	86.6	85.3	80.0	19818	13872	40626
5000	3600	4000	6813	3580	136	622	3566	F	96.4	96.5	96.3	89.8	89.0	84.1	7334	4767	15401
5000	1800	4000	8010	1791	116	622	3817	F	96.3	96.4	96.2	89.8	89.8	87.2	14622	9090	31523
5000	1200	4000	8012	1193	183	645	3871	G	96.6	96.7	96.5	86.4	84.6	78.4	22009	18046	49077

Performance Data for Horizontal Above NEMA Motors ANSS-61000-0706

WPI ENCLOSURE

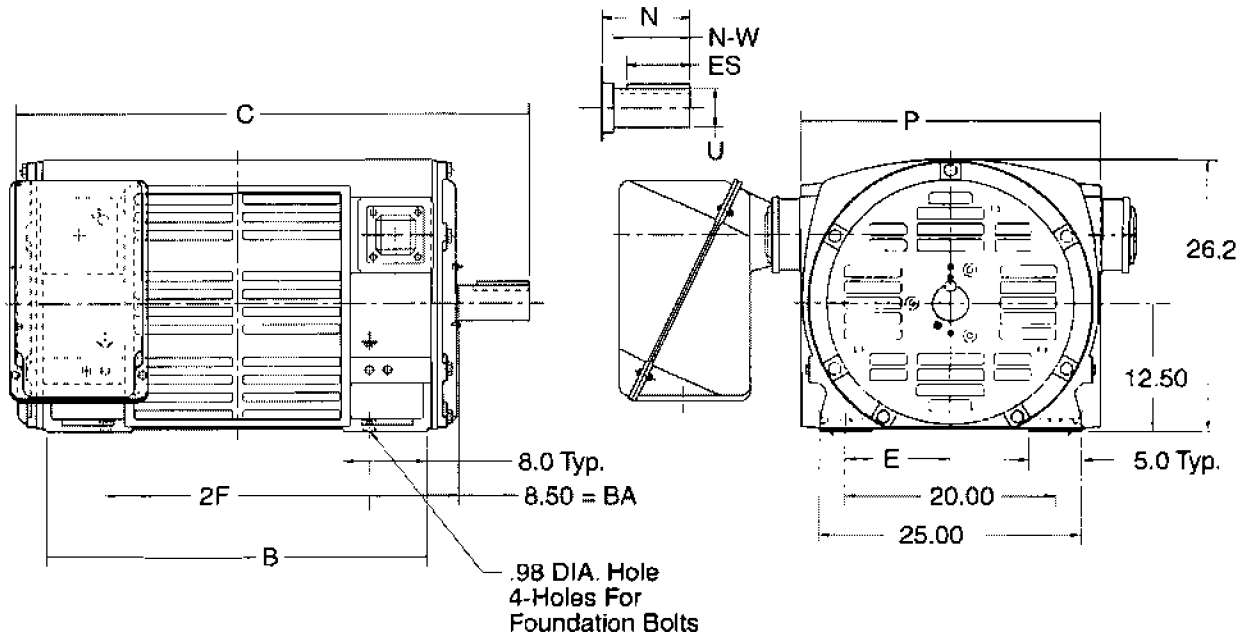
60 Hertz - 4000 Volt

**AC Squirrel-Cage Induction
 1.0 Service Factor
 Class F Insulation
 80 deg. C Rise by Resistance
 40 deg. C Ambient**

Typical Data - Not Guaranteed																	
HP	RPM	Voltage	Frame	FL RPM	NLA	FLA	LRA	KVA CODE	Efficiency			Power Factor			FLT (ft.lb)	LRT (ft.lb)	BDT (ft.lb)
									100%	75%	50%	100%	75%	50%			
5500	3600	4000	8010	3585	201	701	4556	G	96.2	96.1	95.4	84.0	86.0	79.0	8053	3221	17327
5500	1800	4000	8010	1791	154	693	4505	G	96.4	96.6	96.2	88.6	87.8	83.8	16128	12400	32256
6000	3600	4000	8012	3586	186	751	4591	F	96.3	96.2	95.5	89.3	87.9	38.3	8787	5272	19331
6000	1800	4000	8010	1790	154	757	4920	G	96.4	96.6	96.4	88.5	88.3	85.0	17604	12322	35208
7000	3600	4000	8012	3585	157	853	5253	F	96.4	96.4	95.9	91.7	91.3	88.5	10254	6408	22558
7000	1800	4000	8012	1791	142	859	5557	F	96.7	96.9	96.7	89.9	90.7	89.0	20538	14368	41076
8000	3600	4000	8012	3586	167	974	6180	F	96.6	96.6	96.2	91.6	91.1	88.1	11717	7616	26363
8000	1800	4000	8012	1790	173	953	6195	F	97.0	97.2	97.2	89.7	89.7	87.0	23473	14370	45700
9000	3600	4000	8012	3585	184	1090	6673	F	96.5	96.4	96.0	92.1	91.9	89.7	13184	8570	28345

Dimension Prints for Above NEMA Motors ANSS-60000-0403

**Type CG – Horizontal – Open Drip Proof / Weather Protected Type I
 Anti-Friction Bearing
 Frames 508 / 5010**



Standard Dimensions in Inches

Shaft	Frame	Speed	B	C	E	2F	N	N-W	P	R ²	S ³	U	V ⁴	ES	Approx. Ship Wt. (Lbs.)
Short	508S	2 Pole	36.0	47.2	10.0	25.0	5.50	5.25	28.5	2.275	.625	2.625	6.00	3.5	3700
Short	508S	4 Pole & Slower	36.0	48.7	10.0	25.0	7.00	6.75	28.5	2.880	.875	3.375	6.50	5.0	4000
Short	5010S	2 Pole	43.0	54.2	10.0	32.0	5.50	5.25	28.5	2.275	.625	2.625	5.00	3.5	4600
Short	5010S	4 Pole & Slower	43.0	55.7	10.0	32.0	7.00	6.75	28.5	2.880	.875	3.375	6.50	5.0	4800
Long	508	4 Pole & Slower	36.0	51.4	10.0	25.0	9.75	9.50	28.5	3.436	1.00	4.000	9.25	8.0	4000
Long	5010	4 Pole & Slower	43.0	58.4	10.0	32.0	9.75	9.50	28.5	3.436	1.00	4.000	9.25	8.0	4800

Notes

- See Section 3 for selection of main terminal box.
- R = Bottom of key to opposite side of shaft.
- S = Width of keyseat.
- V = Length of shaft available for coupling.
- Jackscrew holes and dowel holes are provided at each foot.
- Shims may be necessary under motor feet for direct connection.
- 2 Pole machines may rotate in one direction only.
- Short shaft is for direct connection. Long shaft may be either belt drive or direct connection depending upon the bearing installed in the motor.

Certification

Customer _____ P.O. _____ S.O. _____ Item _____
 HP _____ RPM _____ FRAME _____ PH/Hz/Volts 3-60-
 Rotation Facing Shaft Extension CW CCW Either
 By _____ Date _____

Not for construction, installation or application purposes unless certified