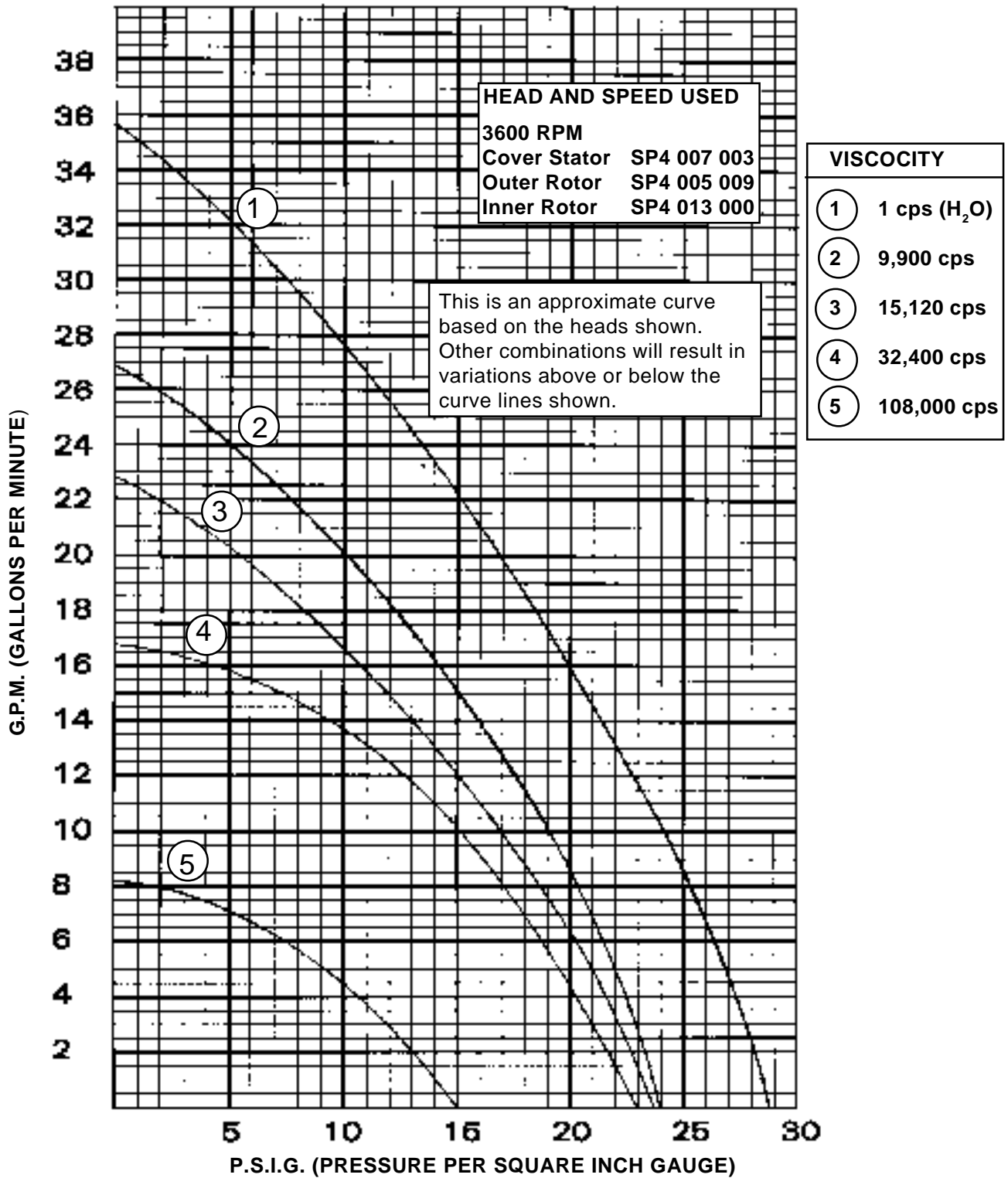


PERFORMANCE CHART

No 4 Shear Pump



SHEAR PUMP WITH *FLUSHING

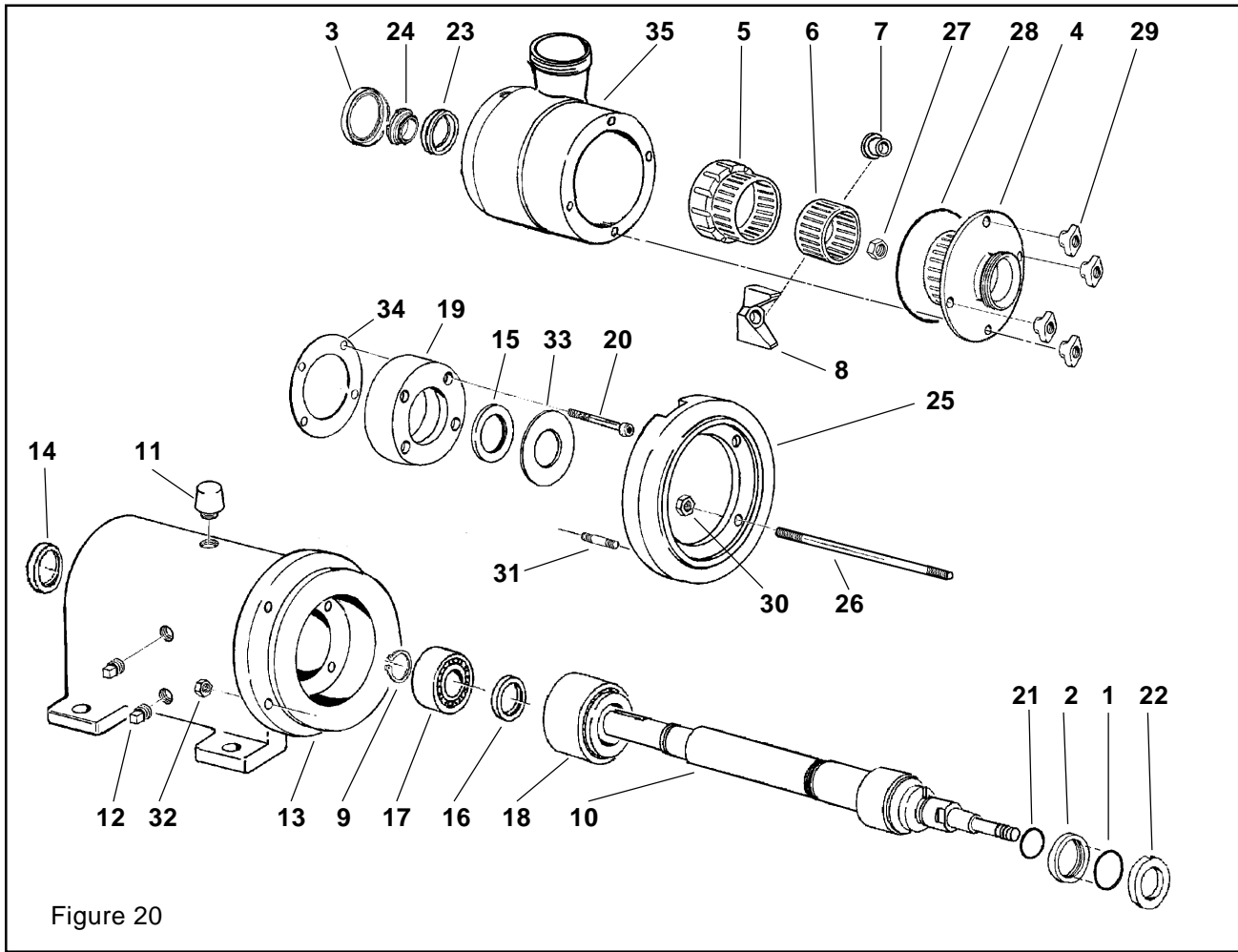


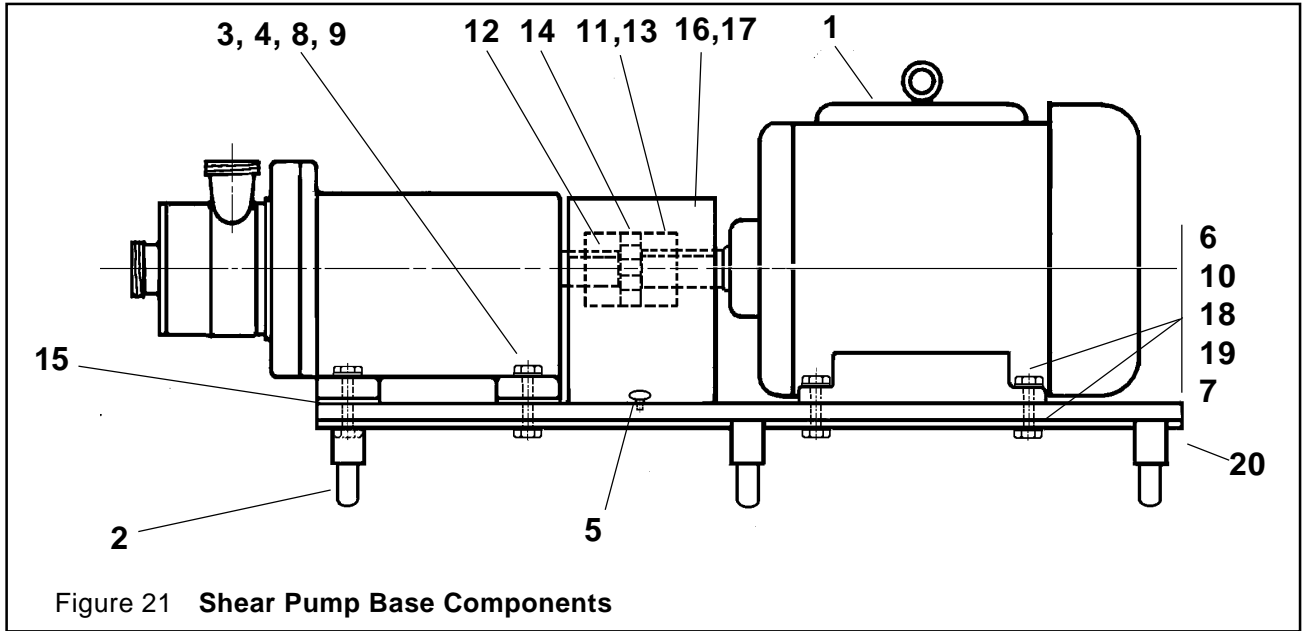
Figure 20

ITEM	PART NO.	QTY	DESCRIPTION
*1	B70 137 132	1	O-Ring, M.R. 38132, 366Y Buna
*2	SP4 098 000	1	Sleeve SS
*3	000 030 011	1	Oil Seal, .250 Shaft Dia. X .375
4	SP4 007 001	1	Cover Stator, Slots .12X 2
	SP4 007 003	1	Cover Stator, Holes .25D 16
	SP4 007 006	1	Cover Stator, Holes .50D 16
	SP4 007 S05	1	Cover Stator, Holes .75D 8
5	SP4 005 001	1	Rotor, Outer
	SP4 005 003	1	Rotor, Outer
	SP4 005 008	1	Rotor, Outer
	SP4 005 009	1	Rotor, Outer
	SP4 005 011	1	Rotor, Outer
6	SP4 012 001	1	Rotor, Inner
7	SP4 012 005	1	Spacer
8	SP4 013 000	1	Rotor Blade, Chopper 3"
	SP4 013 S02	1	Rotor Blade, Chopper 2.5"
9	BD0 087 R00	1	Ring, TRUARC
10	SP4 008 M00	1	Drive Shaft
11	STD 046 001	1	Filter Breather
12	STD 128 104	2	Pipe Plug, Sq/Hd 1/2-14 Cl.
13	OMS 005 000	1	Gear Case
14	OMS 030 000	1	Seal 1.500 I.D. X .562
15	OMS 030 100	1	Seal 2.375 I.D. X .375-.438
16	OMS 036 N00	1	Locknut
17	OMS 036 000	1	Bearing, No. 5308, Dble Row
18	OMS 036 300	1	Bearing, Roller

ITEM	PART NO.	QTY	DESCRIPTION
19	OMS 080 000	1	Bushing, Bearing Retainer
20	30-274	4	SHCS, 5/16-18 x 2.0" Stl 2
21	BD0 097 000	1	O-Ring, Shaft, Buna
22	BGT 014 000	1	Seal Seat, Ceramic
	BGT 014 011 Opt.		Seal Seat, SS Lapped Insert
23	BGT 305 101	1	Seal Case w/ O-Ring
24	BGT 306 120	1	Seal Assembly, Sil/Graph/Vit
	BGT 306 111 Opt.		Seal Assembly, Ceramic
	BGT 306 101 Opt.		Seal Assembly, Carbon
25	SP4 002 M00	1	Support, Adapter Plate
26	SP4 015 000	4	Stud, Inner
27	SP4 018 000	1	Hex Nut, Inner Rotor
28	SP4 031 000	1	O-Ring, 8245
29	SP4 032 000	4	Wing Nut
	36-83	4	Hex Nut, 3/8-16
30	36-70	4	Hex Nut, 1/2-13
31	OMS 011 000	4	Stud
32	36-70	4	Hex Nut, 1/2-13
33	OMS 045 000	1	Slinger, Zinc Plated
34	OMS 042 B00	1	Retainer Gasket
35	SP4 003 005	1	Body, Flushing
**	000 037 003	1	Key, 3/8 X 3/8 X 1-5/8
**	001 061 002	1	Nameplate, Sanitary Pump
**	001 061 013	1	Nameplate, Caution

* = Flushing Parts
 ** = Not Shown Opt. = Optional

SHEAR PUMP BASE ASSEMBLIES



PART NUMBER	DESCRIPTION	QTY, SIZE, MOTOR HP, PART NUMBER			
		A	B	C	D
1	Motor, 3600 RPM	10HP	15HP	20HP	25HP
2	ACC 156 000 Ball Foot, Adjustable, 3"	6	6	6	6
3	GD0 013 000 Lockwasher, 3/8"	4	-	-	*
4	43-177 Lockwasher, 1/2"	8	8	8	*
5	30-133 Thumbscrew 1/4-20 x 1/2"	2	2	2	2
6	43-189 Flat Washer 3/8" Narrow	8	-	-	*
7	43-170 Flat Washer 1/2" ZP 2 Wide	12	12	12	*
8	30-352 Capscrew, Hex Hd 3/8-16	4	-	-	-
9	0C1 050 100 Hex Nut 3/8-16 SS	4	-	-	-
10	30-111 SHCS 1/2-13 x 2.0 Stl.	4	-	-	-
11	33136 Motor Coupling L110	1.375 DIA.	1.625" DIA.	1.625" DIA	-
12	33137 Pump Coupling L110	1.50" DIA.	1.50" DIA.	1.50" DIA.	1.50" DIA.
13	33138 Motor Coupling L110	-	-	-	1.625" DIA
14	33162 Coupling Cushion L110	1	1	1	1
15	ACC 110 000 Pump Shim 3" OD 13/16 ID .25	-	4	4	4
16	ACC 025 058 Coupling Guard	1	1	1	*
17	ACC 025 059 Coupling Guard	-	-	-	1
18	30-293 Hex Nut 1/2-13 ZP	-	4	4	*
19	36-70 Capscrew, 1/2-13 X 2.25"	-	8	8	*
20	35301 Base Plate Assembly	35301	35301	35301	35301

* Fastener type and quantity determined at assembly.

SHEAR PUMP BASE ASSEMBLY PACKAGE (DOES NOT INCLUDE MOTOR)

A	SP4 525 000	10HP 3600 RPM
B	SP4 525 001	15HP 3600 RPM
C	SP4 525 002	20HP 3600 RPM
D	SP4 525 003	25HP 3600 RPM

SP4 107100 MAINTENANCE KIT:

AD0 096 001 1	O-Ring Tool
SP4 019 000 1	T-Handle Nut Wrench

LUBRICANT AND PAINT:

000 142 301	Lubricant 3 OZ. Tube DC 732
000 140 001	Oil MOBIL DTE BB Bulk
000 165 000	Paint TNEMEC 104 Epoxy Sky Blue