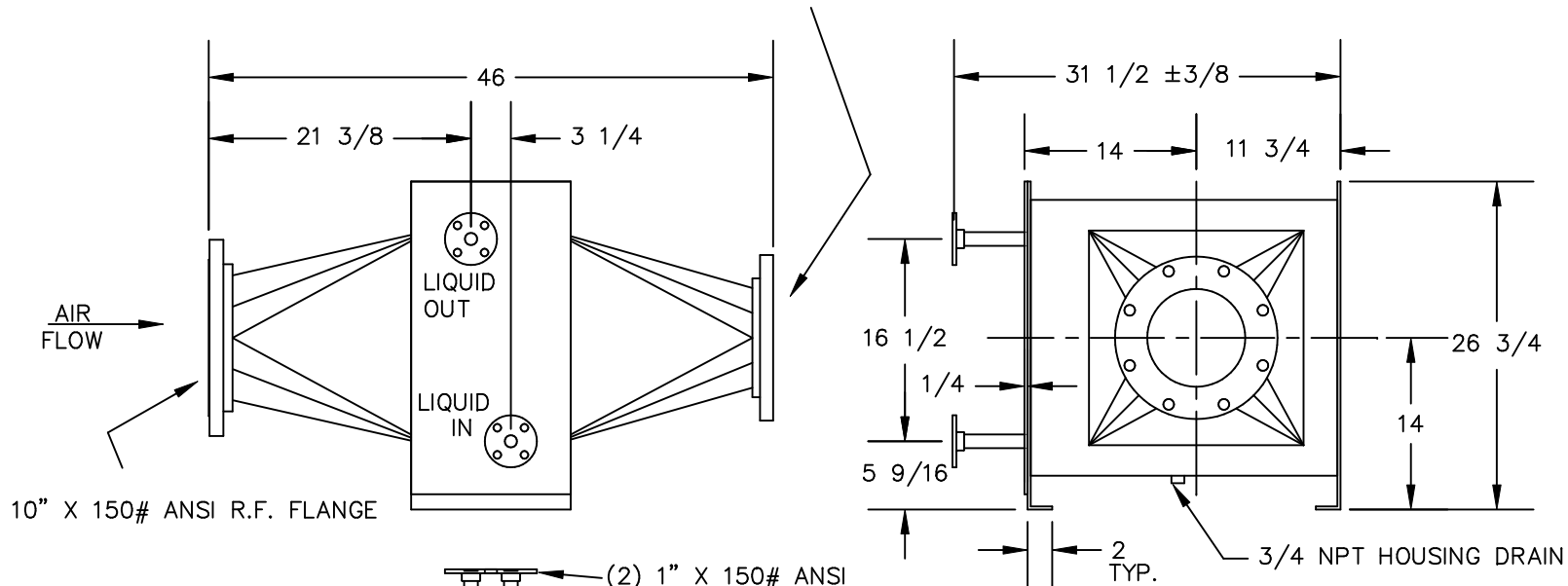


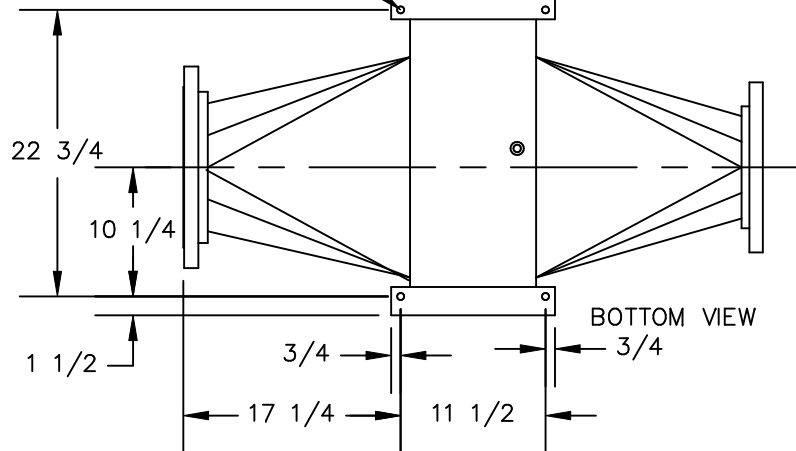
27749

8" X 150# ANSI F.F. FLANGE



10" X 150# ANSI R.F. FLANGE

(4) 9/16" DIA. HOLES  
(2) 1" X 150# ANSI F.F. FLANGE (BRONZE)



BOTTOM VIEW

***Xchanger Inc.***  
Hopkins, Minnesota

CUSTOMER P.O.:

MODEL NUMBER:

SERIAL NUMBER:

PERFORMANCE AND CONSTRUCTION PER DATA SHEET #34986  
CAUTION: COIL IS NOT DRAINABLE-PROTECT FROM FREEZING

TOLERANCES (UNLESS OTHERWISE NOTED)		<b>Xchanger Inc.</b> 1401 SOUTH 7TH ST HOPKINS, MN 55343		MODEL C-175 HEAT EXCHANGER ASSEMBLY			
DECIMAL ± .13	FRACTIONAL ± 1/8	DRAWN BY: MJR APPROVED BY: .	SCALE: NONE DATE: 04/16/98	JOB NUMBER B5469-2	SHEET 1 OF 1	DRAWING NUMBER 27749	REV. B