

Somat HE-6S Hydra Extractor Dewatering Press

Mfg: Somat Waste Reduction Technology

Model: HE-6S

Stock No.: SPPP1007.a

Serial No.:

Somat Waste Reduction Technology Dewatering Press. Model: HE-6S Hydra Extractor. Screw auger dimensions: 6 in. x 28 in. L. Screen dimensions: 6-1/4 in. dia. x 28 in. L. Screen size: 1/8 in. Baldor Industrial Motor, 3 hp, 1725 rpm, 208-230/460 V, 9.0-8.6/4.3 amps, 60 Hz, 3 phase. Morse Gear Reducer, 20 ratio, 86.25 rpm (final). Inlets: (1) 1-1/2 in. dia. FNPT, (1) 4 in. dia. port with a 6-1/2 in. dia. flange and (8) 3/8 in. thru-holes at center distances of 2-3/4 in. Outlets: (1) 1-1/2 in. dia. port, (1) 2-1/2 in. dia. port. Overall dimensions: 57 in. L x 30 in. W x 13 in. H. (ACN300)

Details from the manufacturer:

The Somat Hydra-Extractor component is an integral part of a foodservice waste system comprised of a disposer or remote pulper and a Hydra-Extractor.

After processing, slurry is pumped through a pipeline to the Hydra-Extractor. Most of the water is extracted from the pumped slurry resulting in a semi-dry pulp. The extracted water is recovered and pumped back to the pulper for re-use.

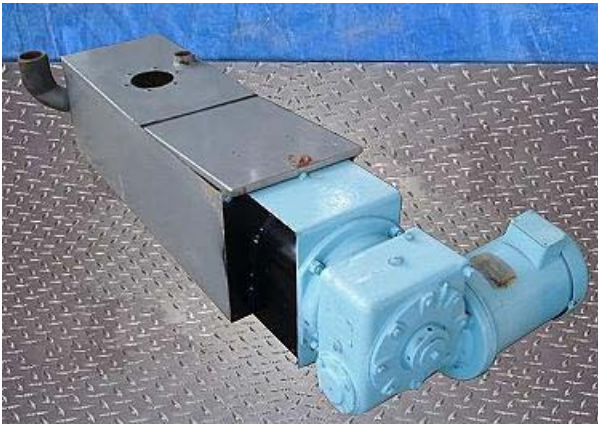
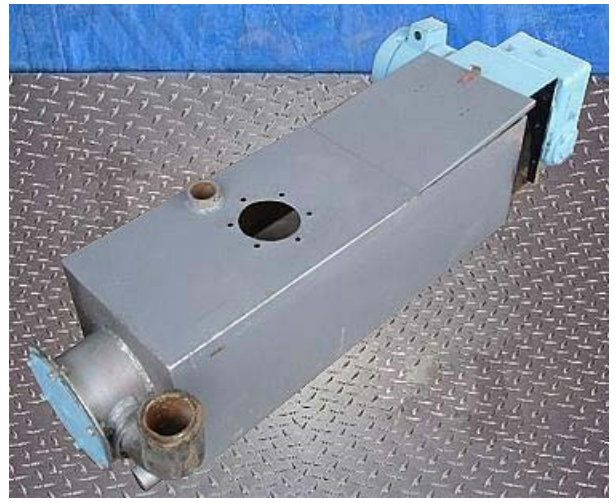
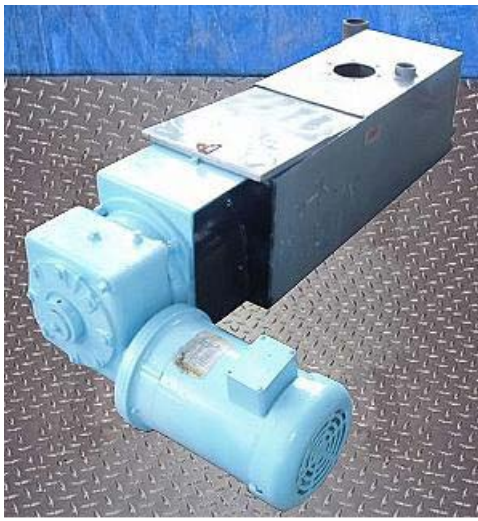
How do Hydra-Extractors Work?

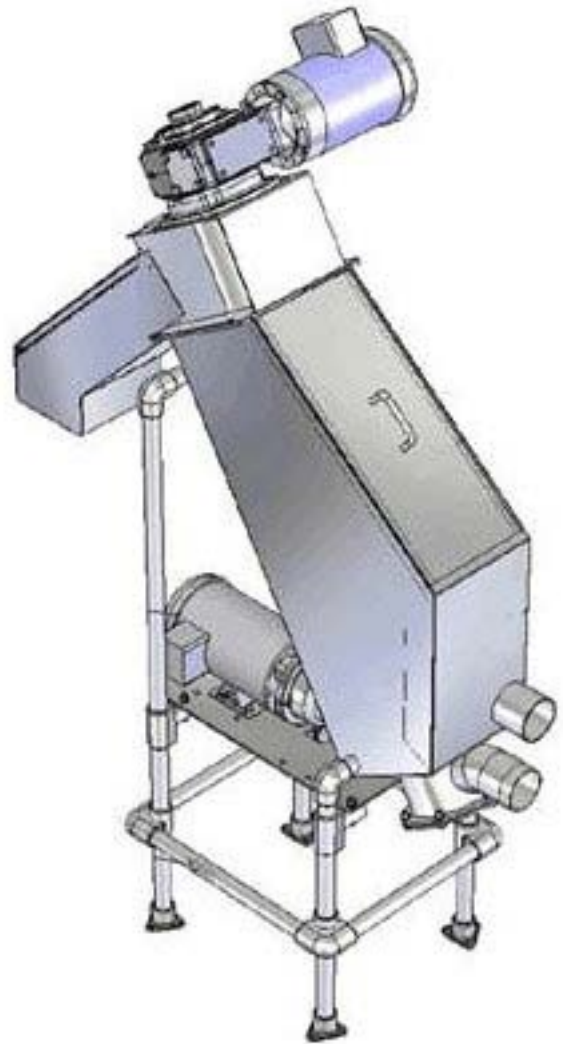
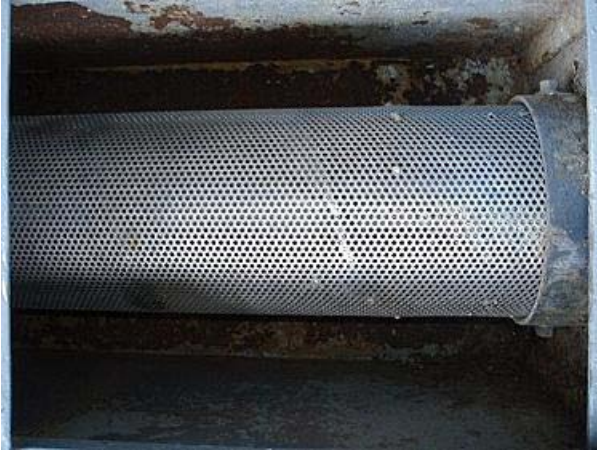
1. Foodservice waste enters the pulper, is processed then mixed with water to create a pulpable slurry comprised of approximately 95% liquid and 5% solids.
2. The slurry is transported through a pipeline to the Hydra-Extractor.
3. Using a specialized brushed screw augers and cylindrical screen, the Hydra-Extractor removes most of the water and the semi-dry pulp is discharged into a container for disposal.
4. The extracted water is recovered and returned to the pulping tank for re-use, offering significant water saving.

FACTS

- *A component of the Somat waste handling system.
- *Able to reduce waste volume by 8 to 1 (87.5%).
- *Processes a wide variety of waste types.
- *Capacity to process up to 6000 pounds of waste mix per hour.
- *Available in several sizes and configurations.
- *Offers water savings by efficiently reusing extracted water.







The Somat Pulping unit can also be combined with the Hydra-Extractor like the following:

Close-Coupled Waste Pulping System

Somat Close-Coupled Pulping Systems are stand-alone food service waste units comprised of a pulper directly connected to a [Hydra-Extractor](#)®. These pulpers provide



an economic and efficient answer to reducing waste volume at the collection source in situations where facility constraints don't permit more centralized waste collection. Pulping compostable waste offers commercial composting operations better compost and on-site operations cleaner processing.