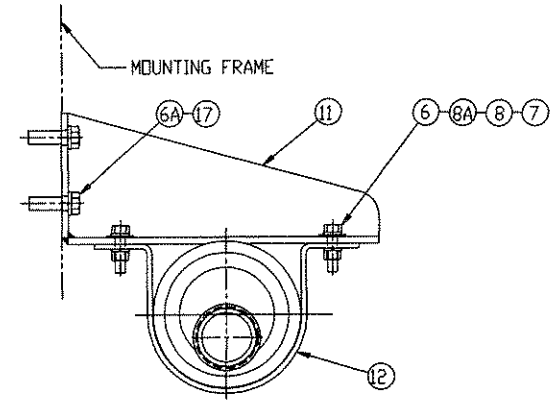
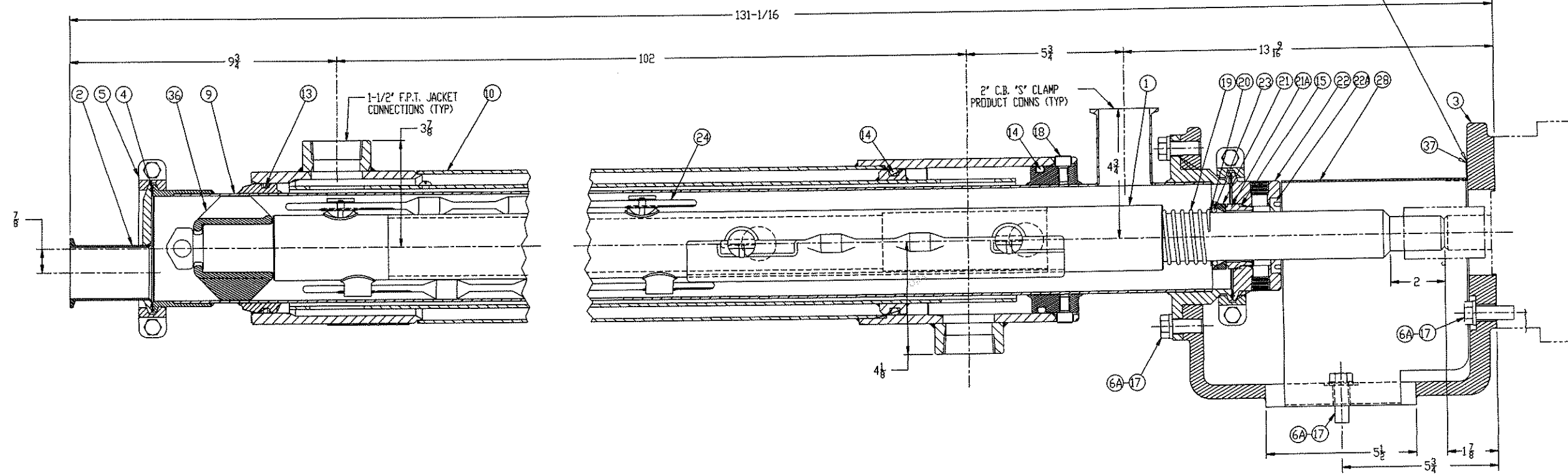
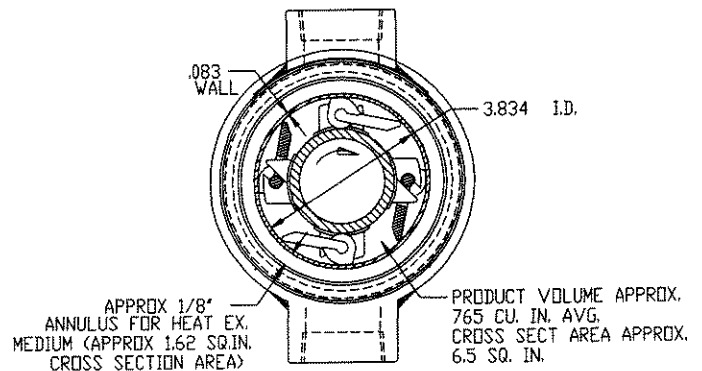


MATCH DRILL HOLE IN COUPLING GUARD TO PEDISTAL 1/4-20x1/2 DEEP. (-A11 & -A12 ONLY)



VIEW FROM OPPOSITE DRIVE END  
(NOTE: ORIENTATIONS OF MOUNTING BRACKETS, PRODUCT AND JACKET CONNECTIONS MAY VARY AS REQUIRED BY GENERAL ASY.)



TYPICAL SECTION THROUGH UNIT  
(VIEWED FROM OPPOSITE DRIVE END)

	CERAMIC-CERAMIC	RYTON	EPDM	A13
BOLTED/GUARD	GRAPHITAR/GRAPHITAR	RYTON	VITON	A12
BOLTED/GUARD	CERAMIC-CERAMIC	RYTON	VITON	A11
CR PL TUBE	GRAPHITAR/GRAPHITAR	RYTON	VITON	A10
CR PL TUBE	CERAMIC-CERAMIC	RYTON	VITON	A09
	CERAMIC-CERAMIC	RYTON	VITON	A08
	REPLACED BY	A01	VITON	A07
			EPR	A06
	GRAPHITAR TO GRAPHITAR	CELCON	BUNA N	A05
			VITON	A04
		RYTON	EPR	A03
			BUNA N	A02
			VITON	A01
SEAL MATL'S	BLADE	PRODUCT SIDE	DWG	
SHAFT/INSERT	MAT'L	ELASTOMERS	NO.	

DESIGN DATA	MANUFACTURERS STANDARD DESIGN AND CONSTRUCTION		
SIDE	MAVP / MDMT	HYDRO TEST	CORR. ALLOW.
TUBE	200 PSI AT 365°F	300 PSI	---
JACKET	150 PSI AT 365°F	225 PSI	---

**Waukesha Cherry-Burrell**

Information contained herein is confidential and must not be copied or disclosed to others unless authorized by Waukesha Cherry-Burrell.

**CAD DRAWING**  
DO NOT SCALE OR MANUALLY CHANGE

PART NUMBER: 403850A

TITLE: CYLINDER ASSEMBLY  
4"x120" S.S. HEAT EXCHANGER

ECO NO. DATE BY DESCRIPTION MATERIAL NOTED SHEET 1 OF 1

W06399 02/25/03 DCM ADDED 403850A13

UNLESS OTHERWISE SPECIFIED, DIMENSIONS ARE IN INCHES AND TOLERANCES ARE AS FOLLOWS: ANGLES: ±1° INSIDE RADIUS: .031 FINISH: 125Ra REMOVE SHARP EDGES AND BURRS DECIMALS: XX= ±.015 XXX= ±.005 FRACTIONS: ±.015

DRAWN: STIDHAM/PV/D DATE: 1/20/90 DATE: D 02

Rev# 02 Size 403850A01 W063 OH .0 AL .0 OQ .0 BSC 4X120 BWS CYLINDER EA M N N

Level	Bal#	Component	Description	UM	Req Qty	I T	Y A
	022	203125B01	DRIVE END HEAD	EA	1.000	M	
	022A	700030A38	SHAFT SEAL	EA	1.000	B	
	023	V70327-680	O-RING-327-680 FDA FKM	EA	1.000	B	
	024	119712	MUTATOR BLADE 4 x 120	EA	16.000	B	
	028	900150	HEAT EXCHANGER COUPLING GUARD	EA	1.000	B	
	036	119713	DEAD END HALF BEARING 4 X 120	ST	1.000	B	

Bottom

Txt Typ Asmbl/Comp  
F7=Fold

F3=Exit F4=Display Text  
F9=New Inquiry

F6=View Drawing  
F13=Print

Rev#	02	Size	403850A01	4X120 BWS CYLINDER				E <sup>A</sup>	M N N		
W063	OH	.0	AL	.0	OQ	.0	BSC	Req	I	T	
Level	Bal#	Component	Description	UM	Qty	T	Y	A			
001	910421	4X120 MUTATOR SHAFT	EA	1.000	M						
002	262B07	4 X 2IN OPP DRIVE END ADAPTER	EA	1.000	M						
003	403509A01	4X120 PEDESTAL	EA	1.000	M						
004	20-148	40MP-FY 4.0" FKM	EA	2.000	B						
005	119-274	13MHP 4.0" 304	EA	2.000	B						
006	712335	HEXAGON HEAD CAP SCREW	EA	2.000	B						
006A	30-103	HHCS 1/2-13 x 1.5" 18-8	EA	12.000	B						
006B	30-683	SHCS M8-1.25 X 20MM GR 12.9	EA	8.000	B						
007	306951	LOCKNUT	EA	2.000	B						
008	711130	SPRING LOCKWASHER	EA	2.000	B						
008A	43-30	WASHER PLAIN 3/8" 18-8 NARROW	EA	2.000	B						
009	403507D01	4X120 BWS REM TUBE	EA	1.000	M						

More...

Txt Typ E Asmbl/Comp

F7=Fold

F3=Exit F4=Display Text  
 F9=New Inquiry

F6=View Drawing  
 F13=Print

Rev# 02 Size 403850A01 4X120 BWS CYLINDER  
 W063 OH .0 AL .0 OQ .0 BSC

EA M N N

Level	Bal#	Component	Description	UM	Req Qty	I T	Y A
	010	403508A01	4X120 BWS JACKET	EA	1.000	M	
	011	122403A03	CYLINDER MOUNTING BRACKET	EA	1.000	B	
	012	122404B01	CYLINDER MOUNTING STRAP	EA	1.000	B	
	013	E75348	O-RING-348 EPDM	EA	1.000	B	
	014	E75428	O-RING-428 EPDM	EA	2.000	B	
	015	V70227-680	O-RING-227-680 FDA FKM	EA	1.000	B	
	017	712553	SPRING LOCKWASHER	EA	12.000	B	
	018	300647	SOCKET HEAD CAP SCREW	EA	2.000	B	
	019	122393A01	SEAL SPRING	EA	1.000	B	
	020	LL13177A	SEAL WASHER	EA	1.000	B	
	021	LL13174G	SEAL RING	EA	1.000	B	
	021A	112691A	SEAL INSERT	EA	1.000	B	

More...

Txt Typ Asmbl/Comp  
 F7=Fold

F3=Exit F4=Display Text  
 F9=New Inquiry

F6=View Drawing  
 F13=Print

403850A01 4X120 BWS CYLINDER EA M N N 02 W063 .0 .0 .0

Level	Bal#	Component	Description	UM	Req Qty	I T H R	E R	Dwg Rv	OnH Qty	Alc Qty	Ord Qty	Ile	Row	Tir	L P
=====	=====	=====	=====	=====	=====	=====	=====	=====	=====	=====	=====	=====	=====	=====	=====
	001	910421	4X120 MUTATOR SHAFT	EA	1.000	M		01 C D	.0	.0	3.0	HOBB	ASM	OR3	
	002	262B07	4 X 2IN OPP DRIVE END ADAPTER	EA	1.000	M		01 W058	.0	.0	.0	HOBB			
	003	403509A01	4X120 PEDESTAL	EA	1.000	M		19 W071	.0	.0	.0	HOBB	A	6	
	004	20-148	40MP-FY 4.0" FKM	EA	2.000	B		19 W068	180.0	.0	50.0	40	C	4	
	005	119-274	13MHP 4.0" 304	EA	2.000	B		03	162.0	24.0	704.0	200	C	3	
	006	712335	HEXAGON HEAD CAP SCREW	EA	2.000	B			34.0	24.0	.0				
	006A	30-103	HHCS 1/2-13 x 1.5" 18-8	EA	12.000	B			122.0	108.0	.0	FAST	ENA	L	
	006B	30-683	SHCS M8-1.25 X 20MM GR 12.9	EA	8.000	B			18.0	.0	.0				
	007	306951	LOCKNUT	EA	2.000	B			73.0	24.0	.0	HOBB	D	1	
	008	711130	SPRING LOCKWASHER	EA	2.000	B		00 NONE	400.0	48.0	.0	HOBB	BP1	CRT	
	008A	43-30	WASHER PLAIN 3/8" 18-8 NARROW	EA	2.000	B			697.0	284.0	.0	FAST	ENA	L	
	009	403507D01	4X120 BWS REM TUBE	EA	1.000	M		14 Y D	.0	.0	.0				
	010	403508A01	4X120 BWS JACKET	EA	1.000	M		19 Y D	4.0	.0	.0	HOBB	ASM	OR5	
	011	122403A03	CYLINDER MOUNTING BRACKET	EA	1.000	B		02 Y A	23.0	.0	.0				
	012	122404B01	CYLINDER MOUNTING STRAP	EA	1.000	B		05 Y B	8.0	.0	.0				
	013	E75348	O-RING-348 EPDM	EA	1.000	B		11 W071	101.0	.0	.0	ZON6			
	014	E75428	O-RING-428 EPDM	EA	2.000	B		11 W071	63.0	48.0	.0				
	015	V70227-680	O-RING-227-680 FDA FKM	EA	1.000	B		11 W071	107.0	25.0	.0				
	017	712553	SPRING LOCKWASHER	EA	12.000	B			18.0	96.0	.0	HOBB	ASM		
	018	300647	SOCKET HEAD CAP SCREW	EA	2.000	B			33.0	48.0	40.0	HOBB	D	1	
	019	122393A01	SEAL SPRING	EA	1.000	B		01 EC00	85.0	12.0	.0	ZON6			
	020	LL13177A	SEAL WASHER	EA	1.000	B		04 Y A	134.0	12.0	.0	ZON6			
	021	LL13174G	SEAL RING	EA	1.000	B		15 Y A	52.0	25.0	.0	40A			
	021A	112691A	SEAL INSERT	EA	1.000	B		03 C A	16.0	16.0	.0	40B			
	022	203125B01	DRIVE END HEAD	EA	1.000	M		05 C B	6.0	12.0	.0	HOBB	B	4	
	022A	700030A38	SHAFT SEAL	EA	1.000	B			20.0	12.0	.0	39B			
	023	V70327-680	O-RING-327-680 FDA FKM	EA	1.000	B		11 W071	107.0	25.0	.0				
	024	119712	MUTATOR BLADE 4 x 120	EA	16.000	B		01 W072	576.0	222.0	.0	41G			
	028	900150	HEAT EXCHANGER COUPLING GUARD	EA	1.000	B		05 C B	10.0	.0	.0	HOBB	A	6	
	036	119713	DEAD END HALF BEARING 4 X 120	ST	1.000	B		01 W074	27.0	12.0	.0	41D			

303500P02 4X120 HEAT EXCHANGER EA M N N 02 Y C .0 .0 .0

Level	Bal#	Component	Description	UM	Req Qty	I T	E H	R H	Dwg Rv	Size	OnH Qty	Alc Qty	Ord Qty	Ile	Row	Tir	L P
001	403850A01		4X120 BWS CYLINDER	EA	1.000	M			02	W063	.0	.0	.0				
005	123029		SHAFT COUPLING	EA	1.000	M			05	W063	3.0	3.0	.0	ZON6			
006	718663		GEAR HEAD MOTOR	EA	1.000	B					.0	.0	.0				
008	925431		DATA NAMEPLATE	EA	1.000	B			02	W069	.0	.0	.0				
009	123561		INFO NAMEPLATE	EA	1.000	B				Y A	44.0	2.0	.0	HOBB	D	1	
010	916745		STEP KEY	EA	1.000	M				C A	.0	.0	.0	HOBB			
100	907620		CUSTOMER PRINTS	EA	1.000	P					.0	.0	.0				

801560 HEAT EXCHANGER SPARES EA M N N .0 .0 .0

Level	Bal#	Component	Description	UM	Req Qty	I T	E H	R H	Dwg Rv	Size	OnH Qty	Alc Qty	Ord Qty	Ile	Row	Tir	L P
004	20-148		40MP-FY 4.0" FKM	EA	2.000	B			19	W068	180.0	.0	50.0	40	C	4	
013	E75348		O-RING-348 EPDM	EA	1.000	B			11	W071	101.0	.0	.0	ZON6			
014	E75428		O-RING-428 EPDM	EA	1.000	B			11	W071	63.0	48.0	.0				
015	V70227-680		O-RING-227-680 FDA FKM	EA	1.000	B			11	W071	107.0	25.0	.0				
019	122393A01		SEAL SPRING	EA	1.000	B			01	EC00	85.0	12.0	.0	ZON6			
020	LL13177A		SEAL WASHER	EA	1.000	B			04	Y A	134.0	12.0	.0	ZON6			
021	LL13174G		SEAL RING	EA	1.000	B			15	Y A	52.0	25.0	.0	40A			
021A	112691A		SEAL INSERT	EA	1.000	B			03	C A	16.0	16.0	.0	40B			
022A	700030A38		SHAFT SEAL	EA	1.000	B					20.0	12.0	.0	39B			
023	V70327-680		O-RING-327-680 FDA FKM	EA	1.000	B			11	W071	107.0	25.0	.0				
024	119712		MUTATOR BLADE 4 x 120	EA	16.000	B			01	W072	576.0	222.0	.0	41G			
036	119713		DEAD END HALF BEARING 4 X 120	ST	1.000	B			01	W074	27.0	12.0	.0	41D			