

Centrifugal Pumps



Fristam
PUMPS®
Engineered For Lasting Performance®



Engineered For Lasting Performance

Fristam is an international manufacturer of sanitary centrifugal and positive displacement pumps, mixers, and blenders, respected for unmatched product performance, reliability, and technical superiority. Fristam was founded in 1909 and manufactured its first pump in 1931. Today, Fristam equipment can be found in many of the world's top beverage, brewing, bio-pharmaceutical, and food processing companies.

WHY CUSTOMERS CHOOSE FRISTAM

"simply better pumps"

"reliable, dependable"

"high standards for sanitization"

"people that help solve problems"



Friederich Stamp, Founder

Benchmarks of Quality

Fristam centrifugal pumps run smoothly and quietly, and are the sanitary industry's leading pumps for reliability, high performance, and efficiency.

LONG SEAL LIFE

Fristam's unique internal seal uses the cooling and lubrication of the product to provide longer seal life. Even under extreme conditions, Fristam's seal life is often measured in years.

EFFICIENT AND GENTLE

Internal clearances are as tight as 0.5 mm, making the pumps highly efficient and very gentle on product. The 'optimized vane angle' design of Fristam centrifugal impellers maximizes efficiency and allows for low NPSH requirements.

BUILT TO LAST

A Fristam centrifugal pump's housing, cover, and impeller are made from 316L stainless steel castings and forgings for more substantial mass. Due to its solid construction, a Fristam centrifugal can withstand more hydraulic shock and cavitation which can ruin a pump.



COMPLETE CIPABILITY

Fristam pumps are completely CIP cleanable and meet the most stringent sanitary standards.



QUIET OPERATION

Close tolerances, heavy-duty construction and balanced impellers contribute to building Fristam's reputation for smooth, quiet performance.



SELF-ALIGNING SHAFT

A self-aligning shaft design allows for easy installation and gapping on Fristam centrifugal pumps. The concentric collar on the shaft prevents run-out, protecting the seal from damage.



SIMPLE MAINTENANCE

No special tools are required to perform routine maintenance on Fristam centrifugal pumps.

"...reliable, easy maintenance, very good centrifugal pump..."

- Maintenance Planner, Pharmaceutical Facility

The Evolution of Fristam Centrifugal Pumps

The FP Series is the original cast Fristam pump from 1936 that established the standards for high performance centrifugals. The success of the FP led satisfied customers to request a Fristam pump without a pedestal mount.

The result was the FPX, a pump combining the same pump head with a modified mounting flange and shaft. Since its introduction in 1987, the FPX has become an industry standard for most general applications.

In 2004, Fristam Pumps again responded to user requests for a centrifugal pump that continued the legacy of the FP and FPX, but offered a new feature to make maintenance even easier: a front-loading seal.

Today, processors can choose from all three series for maximum flexibility.

FP: The Original Fristam

The versatile heavy-duty FP pump is the cornerstone of the Fristam line. For vacuum withdrawal from evaporators, viscous, hot or abrasive products, and many other applications, the pedestal-mounted Fristam FP Series is the benchmark for the sanitary processing industry.

The FP's heavy cast iron pedestal reduces noise and vibration and helps dissipate heat.

Its double mechanical seal option offers flexibility for vacuum withdrawal, aseptic processing, and abrasive products.

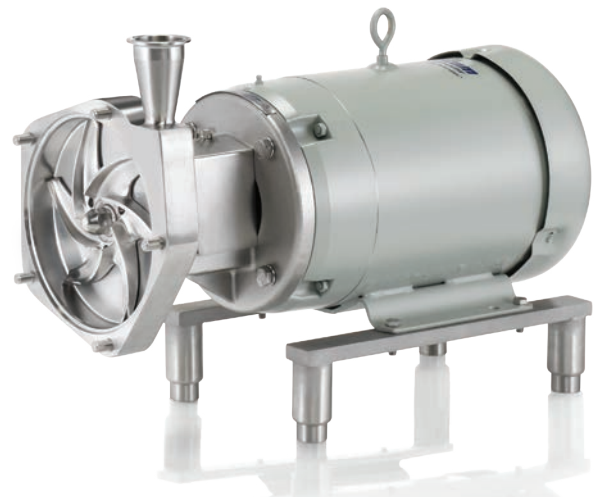
FPX: The Industry Standard

The FPX Series centrifugal pump features the same high-performance pump head as the FP. Since its introduction, the FPX has become an industry standard for most general applications.

Available in single seal only, the FPX is the pump of choice for applications including product transfer; CIP supply; and pumping to fillers, separators, and heat exchangers.



FP
Single or Double Seal
Pedestal-Mounted for Heavy Duty



FPX
Single Seal Only
Standard Duty

FPR: Front-Loading Seal

With the same great performance you've come to expect from a Fristam centrifugal, the third-generation FPR Series reduces maintenance time and effort. Designed with a front-loading seal, the FPR allows personnel to service the pump in place—processors no longer need to pull pumps out of line to change seals, single or double.

Simply remove the cover and impeller, and the rotating and stationary seals can be removed by hand. There is no need to disassemble the housing from the pump.

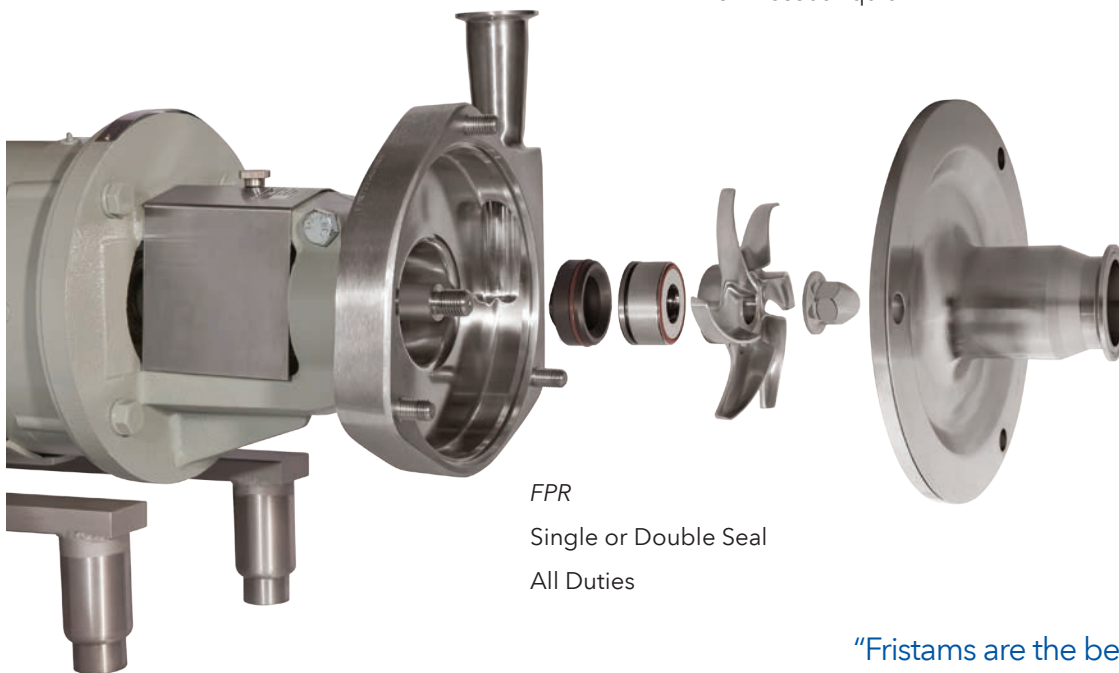
LESS MAINTENANCE INVENTORY

Only two seal sizes are needed to fit all FPR models (except 4001, see below). For each pump model, seal size remains the same regardless of motor size. Plus, no special tools are needed for a seal change.

Fristam pump shafts are designed to fit both the single and double mechanical seal arrangements. This reduces the number of shafts needed to stock for spare parts.

HIGH FLOW FPR 4001

For large capacity processing, the FPR 4001 can achieve flow rates of up to 2000 gallons/minute. Its 6-inch inlet and 14-inch impeller make it ideal for moving large amounts of non-viscous liquid.



FPR
Single or Double Seal
All Duties

"Fristams are the best pumps going."
- Maintenance Manager, Dairy Plant

Bio-Pharmaceutical

PHARMACEUTICAL OPTIONS

All standard Fristam centrifugal pump stainless steel components are 316L. Special castings are available in low-ferrite stainless steel or high-performance alloys such as Hastelloy® and AL-6XN®. USP Class VI elastomers are standard for pharmaceutical applications, with perfluoroelastomers available. Seal materials include stainless steel, ceramic, silicon carbide, and tungsten carbide.

Electropolishing and enhanced internal surface finishes to 15 Ra are available on most products.

Casing drain and mounting options provide complete drainability critical for long-term system cleanliness. Pumps can be easily configured for steam-in-place sterilization, with no external cooling devices required.

WATER FOR INJECTION (WFI) PUMPS

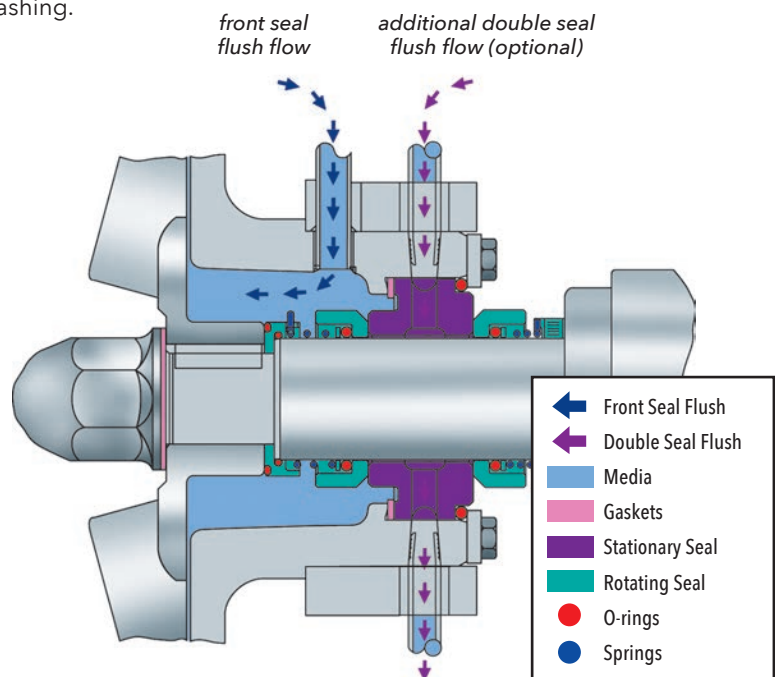
Fristam is the industry leader for WFI and other high purity service. Fristam WFI centrifugal pumps are a precision adaptation of our FP, FPX, and FPR pumps. They feature an advanced seal design that protects product sterility, saves valuable product and provides for long seal life.

Fristam pioneered a pressurized double seal flush system that maintains positive pressure in the critical seal area to ensure product sterility and prevent flashing. The front seal flush is a recirculation loop, which saves valuable product. The internal seal design provides extra cooling and lubrication on the front seal face to significantly extend seal life and provide for more system uptime.

Numerous seal and piping configurations, including single seal piping, are available to meet your processing requirements.



Option 'B' shown. Please visit www.fristam.com/wfi for more configurations)



Centrifugal Options

SEAL MATERIALS

1st - Rotating
2nd - Stationary
3rd - Flush (Double) Seal [FP and FPR only]

Single Seal
FR-N - Chrome oxide SS vs. carbon
C-C - Silicon carbide vs. silicon carbide
FR-C - Chrome oxide SS vs. silicon carbide

Double Seal [FP and FPR only]
FR-N-K - Chrome oxide SS vs. carbon vs. ceramic
C-C-K - Silicon carbide vs. silicon carbide vs. ceramic
FR-C-K - Chrome oxide SS vs. silicon carbide vs. ceramic

FITTING TYPE

Clamp
Bevel seat
150# flange
300# flange
NPT
Butt weld
I-Line (female)
Others

FINISH AND MATERIAL OPTIONS

32 Ra
25 Ra
20 Ra
15 Ra
Electropolish
Passivation
Tungsten carbide coating
316L low ferrite

HARDWARE OPTIONS

Stainless steel flange
Aseptic
Jacketed housing
Casing drain
Bearing block mounted
Adjustable base with legs
Impeller inducer

ELASTOMERS

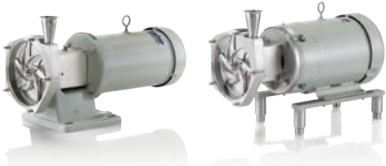
Viton
EPDM
Buna cover gasket
Perfluoroelastomer
USP Class VI Viton and EPDM

COMPREHENSIVE DOCUMENTATION PACKAGE

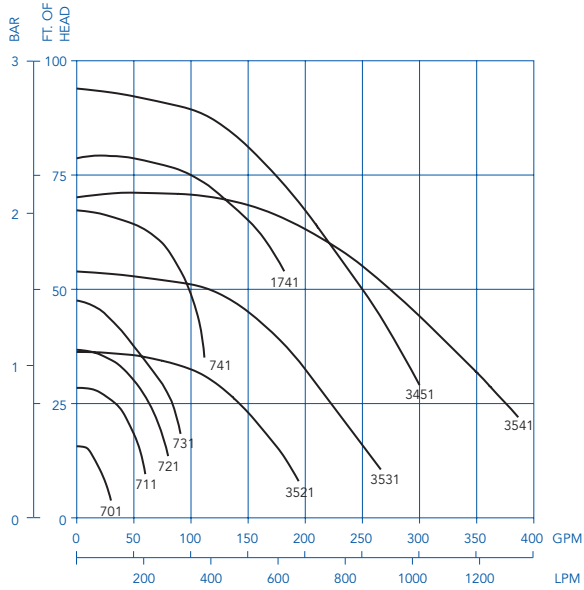
Fristam offers the most comprehensive documentation package, with complete traceability of all parts, including elastomers.

Certified Drawings
Mill Certification
Material Verification
Conformance
Warranty Statement
Certified Finish
Passivation of Pump
Stainless Steel Tag
Paper Location Tag
Certified Welding
Hydrostatic Test
Dynamic Seal Test
Short Run Test
Performance Test
NPSH Test
Witness Test
Vibration Test
Ferrite Test

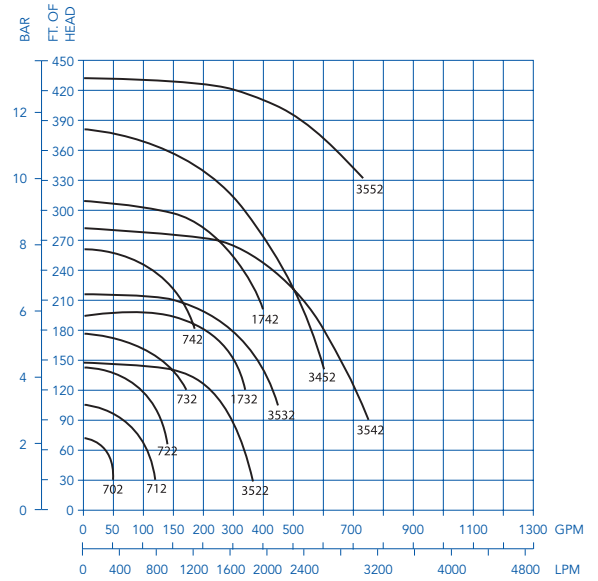
Composite Performance Curves



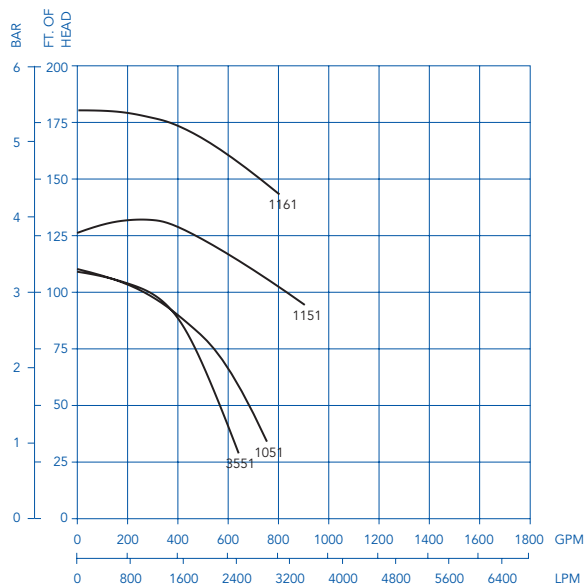
FRISTAM CENTRIFUGAL PUMPS
FP & FPX 1750 RPM



FP & FPX 3500 RPM



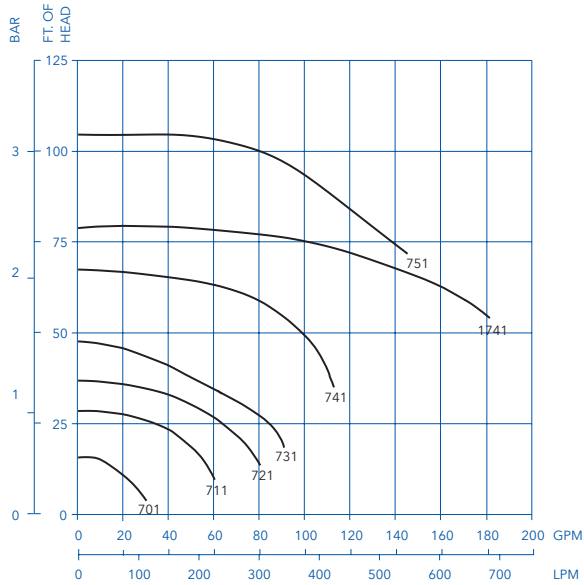
FP & FPX 1750 RPM



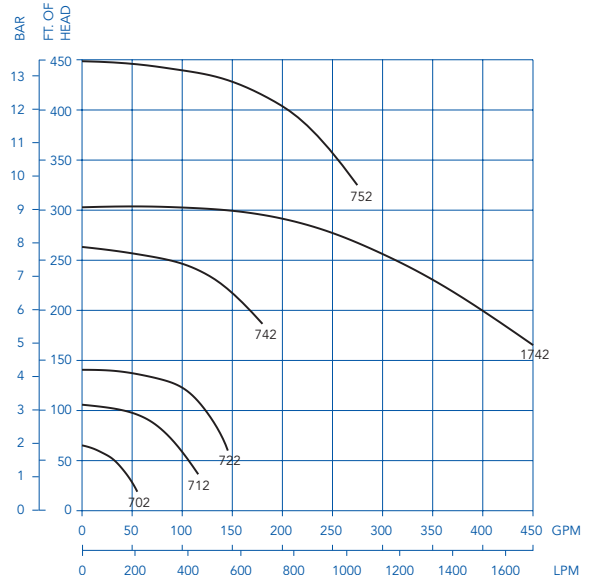
Based on tests using 70°F water and 0 psig inlet pressure. A tolerance of $\pm 5\%$ applies to all figures. Actual performance may vary by application product. Please contact Fristam for different conditions.



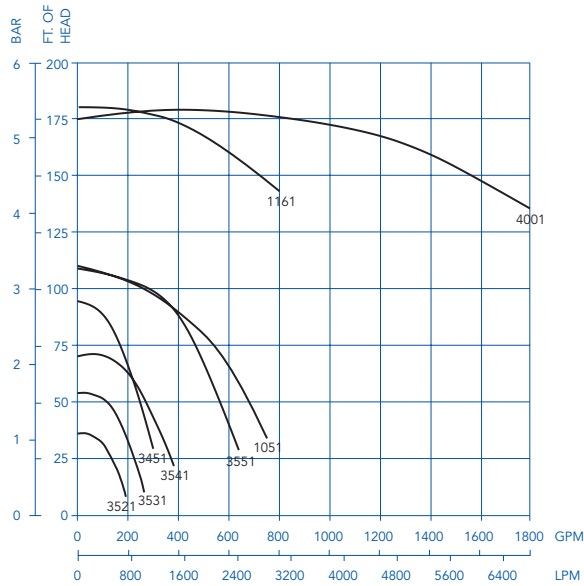
FRISTAM CENTRIFUGAL PUMPS
FPR 1750 RPM



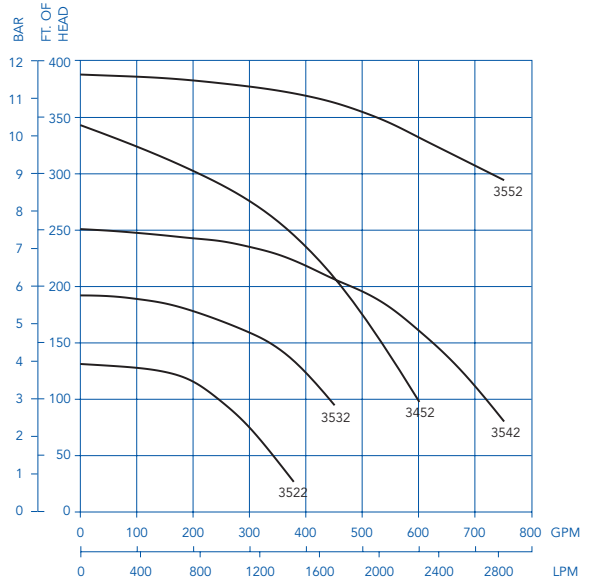
FPR 3500 RPM



FPR 1750 RPM

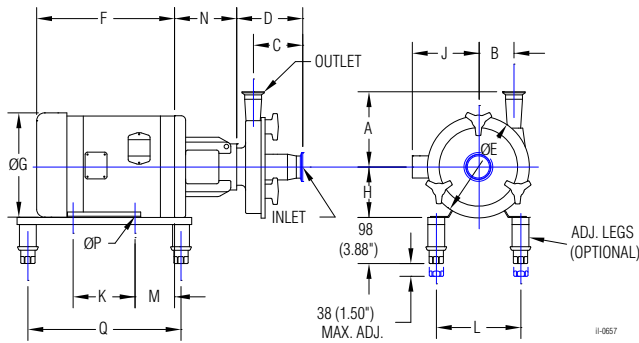


FPR 3500 RPM



Based on tests using 70°F water and 0 psig inlet pressure. A tolerance of ± 5% applies to all figures. Actual performance may vary by application product. Please contact Fristam for different conditions.

Dimensional Drawing: FPX Single Flange

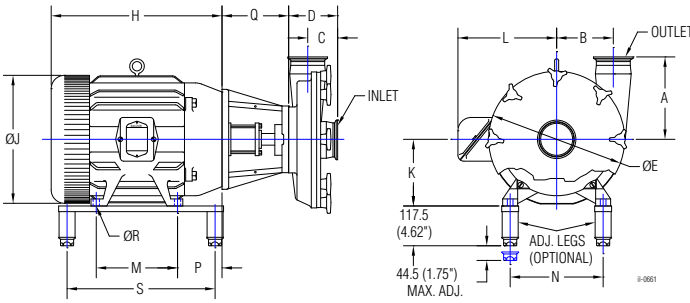


PUMP MODEL	INLET	OUTLET	DIMENSIONS IN MILLIMETERS (INCHES)				
			A	B	C	D	ØE
FPX 701 / 702	1.5"	1.5"	108 (4.25)	44.5 (1.75)	108.5 (4.27)	146.5 (5.77)	150 (5.90)
			144 (5.67)	58 (2.28)	113 (4.45)	150 (5.90)	185 (7.28)
FPX 711 / 712	2"	1.5"	170 (6.69)	79 (3.11)	113 (4.45)	150 (5.90)	230 (9.06)
			195 (7.68)	96 (3.78)	101 (3.98)	141 (5.55)	270 (10.63)
FPX 721 / 731 / 722	2"	1.5"	200 (7.87)	91 (3.58)	104 (4.09)	150.5 (5.93)	270 (10.63)
			190 (7.48)	80 (3.15)	118 (4.64)	162 (6.38)	230 (9.06)
FPX 741 / 732 / 742	2.5"	2"	191 (7.52)	95 (3.74)	115.5 (4.55)	162 (6.38)	260 (10.24)
			211 (8.31)	115 (4.53)	118 (4.64)	162 (6.38)	290 (11.42)
FPX 1741 / 1732 / 1742	2.5"	2"	200 (7.87)	91 (3.58)	104 (4.09)	150.5 (5.93)	270 (10.63)
			190 (7.48)	80 (3.15)	118 (4.64)	162 (6.38)	230 (9.06)
FPX 3521 / 3522	2.5"	2"	191 (7.52)	95 (3.74)	115.5 (4.55)	162 (6.38)	260 (10.24)
			211 (8.31)	115 (4.53)	118 (4.64)	162 (6.38)	290 (11.42)
FPX 3531 / 3532	2.5"	2"	191 (7.52)	95 (3.74)	115.5 (4.55)	162 (6.38)	260 (10.24)
			211 (8.31)	115 (4.53)	118 (4.64)	162 (6.38)	290 (11.42)
FPX 3541 / 3542	3"	2.5"	211 (8.31)	140 (5.51)	114 (4.49)	158 (6.22)	350 (13.78)
			231 (9.09)	140 (5.51)	119 (4.68)	168 (6.61)	350 (13.78)
FPX 3451 / 3452	3"	2"	211 (8.31)	140 (5.51)	114 (4.49)	158 (6.22)	350 (13.78)
			231 (9.09)	140 (5.51)	119 (4.68)	168 (6.61)	350 (13.78)
FPX 3551	3"	2.5"	231 (9.09)	140 (5.51)	119 (4.68)	168 (6.61)	350 (13.78)

MOTOR HP	MOTOR RPM	MOTOR FRAME	DIMENSIONS IN MILLIMETERS (INCHES)										
			F	ØG	H	J	K	L	M	N	ØP	O	
1 HP	15 HP	143TC	281 (11.06)	183 (7.19)	89 (3.50)	133 (5.22)	102 (4.00)	140 (5.50)	70 (2.75)	120 (4.72)	8.7 (11/32)	356 (14.00)	
1.5 HP		145TC	281 (11.06)	183 (7.19)	89 (3.50)	133 (5.22)	102 (4.00)	140 (5.50)	70 (2.75)	120 (4.72)	8.7 (11/32)	356 (14.00)	
2 HP	2 HP	145TC	281 (11.06)	183 (7.19)	89 (3.50)	133 (5.22)	102 (4.00)	140 (5.50)	70 (2.75)	120 (4.72)	8.7 (11/32)	356 (14.00)	
	3 HP	182TC	313 (12.31)	183 (7.19)	114 (4.50)	132 (5.21)	140 (5.50)	191 (7.50)	89 (3.50)	140 (5.53)	10.3 (13/32)	356 (14.00)	
3 HP		182TC	348 (13.69)	183 (7.19)	114 (4.50)	132 (5.21)	140 (5.50)	191 (7.50)	89 (3.50)	140 (5.53)	10.3 (13/32)	356 (14.00)	
	5 HP	184TC	347 (13.68)	216 (8.50)	114 (4.50)	152 (5.97)	140 (5.50)	191 (7.50)	89 (3.50)	140 (5.53)	10.3 (13/32)	356 (14.00)	
5 HP		184TC	386 (15.18)	216 (8.50)	114 (4.50)	152 (5.97)	140 (5.50)	191 (7.50)	89 (3.50)	140 (5.53)	10.3 (13/32)	356 (14.00)	
	7.5 HP	184TC	386 (15.18)	216 (8.50)	114 (4.50)	152 (5.97)	140 (5.50)	191 (7.50)	89 (3.50)	140 (5.53)	10.3 (13/32)	356 (14.00)	
7.5 HP		213TC	388 (15.27)	263 (10.34)	133 (5.25)	189 (7.46)	140 (5.50)	216 (8.50)	108 (4.25)	140 (5.53)	10.3 (13/32)	356 (14.00)	
10 HP	10 HP	215TC	388 (15.27)	263 (10.34)	133 (5.25)	189 (7.46)	140 (5.50)	216 (8.50)	108 (4.25)	140 (5.53)	10.3 (13/32)	356 (14.00)	
	15 HP	215TC	436 (17.15)	263 (10.34)	133 (5.25)	189 (7.46)	140 (5.50)	216 (8.50)	108 (4.25)	140 (5.53)	10.3 (13/32)	356 (14.00)	
15 HP	20 HP	254TC	447 (17.59)	263 (10.34)	159 (6.25)	225 (8.88)	210 (8.25)	254 (10.00)	121 (4.75)	169 (6.65)	13.5 (17/32)	406 (16.00)	
		256TC	491 (19.34)	263 (10.34)	159 (6.25)	225 (8.88)	254 (10.00)	254 (10.00)	121 (4.75)	169 (6.65)	13.5 (17/32)	406 (16.00)	
20 HP		256TC	499 (19.66)	336 (13.25)	159 (6.25)	239 (9.42)	254 (10.00)	254 (10.00)	121 (4.75)	169 (6.65)	13.5 (17/32)	406 (16.00)	

1265000540

Dimensional Drawing: FPX Double Flange



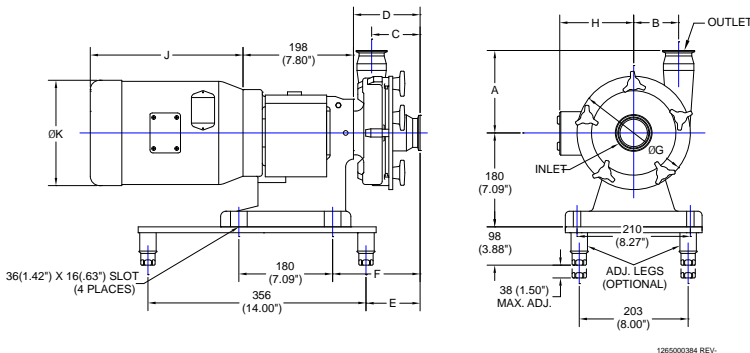
PUMP MODEL	INLET	OUTLET	DIMENSIONS IN MILLIMETERS (INCHES)				
			A	B	C	D	ØE
FPX 1051	4"	4"	250 (9.84)	170 (6.69)	167 (6.57)	202.5 (7.97)	406 (15.98)
			250 (9.84)	170 (6.69)	110.5 (4.35)	146 (5.75)	406 (15.98)
FPX 1151	4"	4"	250 (9.84)	170 (6.69)	110.5 (4.35)	146 (5.75)	406 (15.98)
			250 (9.84)	170 (6.69)	110.5 (4.35)	146 (5.75)	406 (15.98)
FPX 1161	4"	4"	250 (9.84)	170 (6.69)	110.5 (4.35)	146 (5.75)	406 (15.98)
			250 (9.84)	170 (6.69)	111 (4.37)	146 (5.75)	406 (15.98)
FPX 1742	2.5"	2"	200 (7.87)	91 (3.58)	104 (4.09)	153 (6.02)	270 (10.63)
			191 (7.52)	95 (3.74)	115.5 (4.55)	164.5 (6.48)	260 (10.24)
FPX 3532	2.5"	2"	191 (7.52)	95 (3.74)	115.5 (4.55)	164.5 (6.48)	260 (10.24)
			211 (8.31)	115 (4.53)	118 (4.64)	164.5 (6.48)	290 (11.42)
FPX 3542	3"	2.5"	211 (8.31)	140 (5.51)	114 (4.49)	160.5 (6.32)	350 (13.78)
			231 (9.09)	140 (5.51)	119 (4.68)	170.5 (6.71)	350 (13.78)
FPX 3452	3"	2"	211 (8.31)	140 (5.51)	114 (4.49)	160.5 (6.32)	350 (13.78)
			231 (9.09)	140 (5.51)	119 (4.68)	170.5 (6.71)	350 (13.78)
FPX 3552	3"	2.5"	231 (9.09)	140 (5.51)	119 (4.68)	170.5 (6.71)	350 (13.78)
			250 (9.84)	170 (6.69)	167 (6.57)	202.5 (7.97)	406 (15.98)

MOTOR HP	MOTOR RPM	MOTOR FRAME	DIMENSIONS IN MILLIMETERS (INCHES)										
			H	ØJ	K	L	M	N	P	Q	ØR	S	
7.5 HP		213TC	388 (15.27)	263 (10.34)	133 (5.25)	189 (7.46)	140 (5.50)	216 (8.50)	108 (4.25)	200 (7.87)	10.3 (13/32)	470 (18.50)	
10 HP		215TC	416 (16.40)	263 (10.34)	133 (5.25)	189 (7.46)	178 (7.00)	216 (8.50)	108 (4.25)	200 (7.87)	10.3 (13/32)	470 (18.50)	
15 HP		254TC	447 (17.59)	270 (10.62)	159 (6.25)	226 (8.88)	210 (8.25)	254 (10.00)	121 (4.75)	200 (7.87)	13.5 (17/32)	444 (17.50)	
20 HP		256TC	499 (19.66)	320 (12.60)	159 (6.25)	239 (9.42)	254 (10.00)	254 (10.00)	121 (4.75)	200 (7.87)	13.5 (17/32)	470 (18.50)	
25 HP	25 HP	284TC	588 (23.13)	367 (14.44)	178 (7.00)	333 (13.11)	241 (9.50)	279 (11.00)	121 (4.75)	200 (7.87)	13.5 (17/32)	444 (17.50)	
		284TSC	588 (23.13)	367 (14.44)	178 (7.00)	333 (13.11)	241 (9.50)	279 (11.00)	121 (4.75)	200 (7.87)	13.5 (17/32)	444 (17.50)	
30 HP	30 HP	286TC	588 (23.13)	367 (14.44)	178 (7.00)	333 (13.11)	279 (11.00)	279 (11.00)	121 (4.75)	200 (7.87)	13.5 (17/32)	444 (17.50)	
		286TSC	588 (23.13)	367 (14.44)	178 (7.00)	333 (13.11)	279 (11.00)	279 (11.00)	121 (4.75)	200 (7.87)	13.5 (17/32)	444 (17.50)	
40 HP	40 HP	324TC	636 (25.00)	413 (16.25)	203 (8.00)	371 (14.62)	267 (10.50)	318 (12.50)	133 (5.25)	216 (8.50)	16.7 (21/32)	470 (18.50)	
		324TSC	636 (25.00)	413 (16.25)	203 (8.00)	371 (14.62)	267 (10.50)	318 (12.50)	133 (5.25)	216 (8.50)	16.7 (21/32)	470 (18.50)	
50 HP	50 HP	326TC	636 (25.00)	413 (16.25)	203 (8.00)	371 (14.62)	305 (12.00)	318 (12.50)	133 (5.25)	216 (8.50)	16.7 (21/32)	470 (18.50)	
		326TSC	636 (25.00)	413 (16.25)	203 (8.00)	371 (14.62)	305 (12.00)	318 (12.50)	133 (5.25)	216 (8.50)	16.7 (21/32)	470 (18.50)	

ii-0650

All pump dimensions are in millimeters (inches). Dimensions are based on clamp fittings. Motor dimensions may vary by manufacturer.

Dimensional Drawing: FP Single Flange

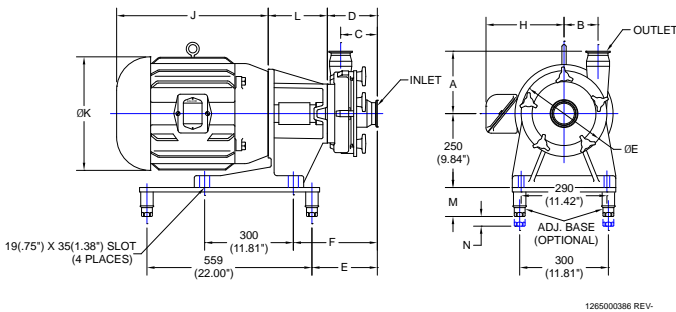


PUMP MODEL	INLET	OUTLET	DIMENSIONS IN MILLIMETERS (INCHES)						
			A	B	C	D	E	F	ØG
FP 701 / 702	1.5"	1.5"	108 (4.25")	44.5 (1.75")	108.5 (4.27")	146.5 (5.77")	154.5 (6.08")	186.5 (7.34")	150 (5.90")
FP 711 / 712	2"	1.5"	144 (5.67")	58 (2.28")	113 (4.45")	150 (5.90")	158 (6.22")	190 (7.48")	185 (7.28")
FP 721 / 731 / 722	2"	1.5"	170 (6.69")	79 (3.11")	113 (4.45")	150 (5.90")	158 (6.22")	190 (7.48")	230 (9.06")
FP 741 / 732 / 742	2.5"	2"	195 (7.68")	96 (3.78")	101 (3.98")	141 (5.55")	149 (5.87")	181 (7.13")	270 (10.63")
FP 1741 / 1732 / 1742	2.5"	2"	200 (7.87")	91 (3.58")	104 (4.09")	150.5 (5.93")	158.5 (6.24")	190.5 (7.50")	270 (10.63")
FP 3521 / 3522	2.5"	2"	190 (7.48")	80 (3.15")	118 (4.64")	162 (6.38")	170 (6.69")	202 (7.95")	230 (9.06")
FP 3531 / 3532	2.5"	2"	191 (7.52")	95 (3.74")	115.5 (4.55")	162 (6.38")	170 (6.69")	202 (7.95")	260 (10.24")
FP 3541 / 3542	3"	2.5"	211 (8.31")	115 (4.53")	118 (4.64")	162 (6.38")	170 (6.69")	202 (7.95")	290 (11.42")
FP 3451 / 3452	3"	2"	211 (8.31")	140 (5.51")	114 (4.49")	158 (6.22")	166 (6.54")	198 (7.80")	350 (13.78")

MOTOR HP	MOTOR FRAME	DIMENSIONS IN MILLIMETERS (INCHES)		
		H	J	ØK
0.5 HP	56C	115 (4.53")	236 (9.29")	157 (6.19")
0.75 HP	56C	115 (4.53")	236 (9.29")	157 (6.19")
1 HP	56C	115 (4.53")	236 (9.29")	157 (6.19")
1 HP	143TC	115 (4.53")	252 (9.94")	157 (6.19")
1.5 HP	145TC	133 (5.22")	259 (10.19")	183 (7.19")
2 HP	145TC	133 (5.22")	284 (11.19")	183 (7.19")
3 HP	145TC	133 (5.22")	284 (11.19")	183 (7.19")
3 HP	182TC	133 (5.23")	313 (12.31")	216 (8.50")
5 HP	184TC	152 (6.00")	348 (13.68")	216 (8.50")
7.5 HP	184TC	152 (6.00")	386 (15.18")	216 (8.50")
7.5 HP	213TC	189 (7.46")	388 (15.27")	263 (10.34")
10 HP	215TC	189 (7.46")	388 (15.27")	263 (10.34")
10 HP	215TC	189 (7.46")	416 (16.40")	263 (10.34")

1265000385 REV.

Dimensional Drawing: FP Double Flange



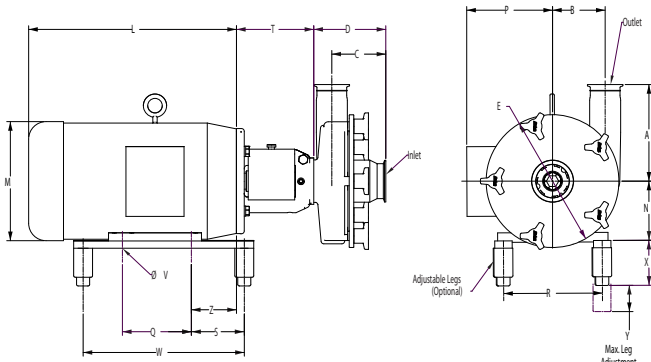
PUMP MODEL	INLET	OUTLET	DIMENSIONS IN MILLIMETERS (INCHES)						
			A	B	C	D	E	F	ØG
FP 1051	4"	4"	250 (9.84")	170 (6.69")	167 (6.57")	202.5 (7.97")	254 (10.00")	317.5 (12.50")	406 (15.98")
FP 1151	4"	4"	250 (9.84")	170 (6.69")	110.5 (4.35")	146 (5.75")	197.5 (7.78")	261 (10.28")	406 (15.98")
FP 1161	4"	4"	250 (9.84")	170 (6.69")	110.5 (4.35")	146 (5.75")	197.5 (7.78")	261 (10.28")	406 (15.98")
FP 1161	6"	4"	250 (9.84")	170 (6.69")	111 (4.37")	146 (5.75")	197.5 (7.78")	261 (10.28")	406 (15.98")
FP 742	2.5"	2"	195 (7.68")	96 (3.78")	101 (3.98")	143.5 (5.65")	195 (7.68")	258.5 (10.18")	270 (10.63")
FP 1732 / 1742	2.5"	2"	200 (7.87")	91 (3.58")	104 (4.09")	153 (6.02")	204.5 (8.05")	268 (10.55")	270 (10.63")
FP 3532	2.5"	2"	191 (7.52")	95 (3.74")	115.5 (4.55")	164.5 (6.48")	216 (8.50")	279.5 (11.00")	260 (10.24")
FP 3542	3"	2.5"	211 (8.31")	115 (4.53")	118 (4.64")	164.5 (6.48")	216 (8.50")	279.5 (11.00")	290 (11.42")
FP 3452	3"	2"	211 (8.31")	140 (5.51")	114 (4.49")	160.5 (6.32")	212 (8.35")	275.5 (10.85")	350 (13.78")
FP 3551 / 3552	3"	2.5"	231 (9.09")	140 (5.51")	119 (4.68")	170.5 (6.71")	222 (8.74")	285.5 (11.24")	350 (13.78")

MOTOR HP	MOTOR FRAME	DIMENSIONS IN MILLIMETERS (INCHES)					
		H	J	ØK	L	M	N
*3 HP	182TC	133 (5.23")	313 (12.31")	216 (8.50")	200 (7.87")	117 (4.62")	44.5 (1.75")
*5 HP	213TC	189 (7.46")	388 (15.27")	263 (10.34")	200 (7.87")	117 (4.62")	44.5 (1.75")
**7.5 HP	213TC	189 (7.46")	388 (15.27")	263 (10.34")	200 (7.87")	117 (4.62")	44.5 (1.75")
**10 HP	215TC	189 (7.46")	416 (16.40")	263 (10.34")	200 (7.87")	117 (4.62")	44.5 (1.75")
15 HP	254TC	220 (8.67")	415 (16.33")	263 (10.34")	200 (7.87")	98*** (3.88")	38**** (1.50")
20 HP	256TC	239 (9.42")	499 (19.66")	336 (13.25")	200 (7.87")	98*** (3.88")	38**** (1.50")
20 HP	256TC	225 (8.88")	491 (19.34")	263 (10.34")	200 (7.87")	98 (3.88")	38 (1.50")
25 HP	284TC	333 (13.12")	588 (23.13")	395 (15.56")	200 (7.87")	117 (4.62")	44.5 (1.75")
25 HP	284TSC	333 (13.12")	588 (23.13")	395 (15.56")	200 (7.87")	98 (3.88")	38 (1.50")
30 HP	286TC	333 (13.12")	588 (23.13")	395 (15.56")	200 (7.87")	117 (4.62")	44.5 (1.75")
30 HP	286TSC	333 (13.12")	588 (23.13")	395 (15.56")	200 (7.87")	98 (3.88")	38 (1.50")
40 HP	324TSD	333 (13.12")	588 (23.13")	395 (15.56")	220 (8.66")	117 (4.62")	44.5 (1.75")
40 HP	324TSD	333 (13.12")	588 (23.13")	395 (15.56")	220 (8.66")	117 (4.62")	44.5 (1.75")
50 HP	326TSD	333 (13.12")	588 (23.13")	395 (15.56")	220 (8.66")	117 (4.62")	44.5 (1.75")
50 HP	326TSD	333 (13.12")	588 (23.13")	395 (15.56")	220 (8.66")	117 (4.62")	44.5 (1.75")

* 3551 ONLY
 ** 3551, 1051 & 1151 ONLY
 *** 117 (4.62") FOR 1051, 1151 & 1161
 **** 44.5 (1.75") FOR 1051, 1151 & 1161

1265000387 REV.

Dimensional Drawing: FPR Single Flange

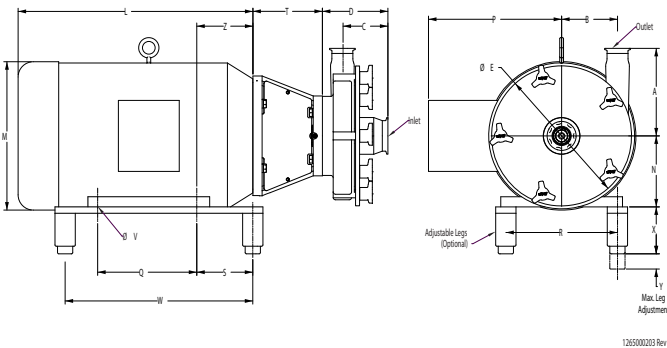


PUMP MODEL	INLET	OUTLET	A	B	C	D	E
FPR 701/702	1.5"	1.5"	108 4.25"	44.5 1.75"	106.5 4.19"	139.5 5.49"	150 5.91"
FPR 711/712	2"	1.5"	144 5.67"	58 2.28"	113 4.45"	145 5.71"	185 7.28"
FPR 721/731/722	2"	1.5"	170 6.69"	79 3.11"	113 4.45"	145 5.71"	230 9.06"
FPR 741/742	2.5"	2"	195 7.68"	96 3.78"	101 3.98"	136 5.35"	270 10.63"
FPR 1741/1742	2.5"	2"	200 7.87"	91 3.58"	104 4.09"	145.5 5.73"	270 10.63"
FPR 3521/3522	2.5"	2"	190 7.48"	80 3.15"	118 4.65"	157.5 6.2"	230 9.06"
FPR 3531/3532	2.5"	2"	191 7.52"	85 3.74"	115.5 4.55"	157.5 6.2"	280 10.24"
FPR 3541/3542	3"	2.5"	211 8.31"	115 4.53"	118 4.65"	157.5 6.2"	290 11.42"

MOTOR HP		MOTOR	L	M	N	P	Q	R	S	T	V	W	X	Y	Z
1750 RPM	3500 RPM	FRAME													
1 HP	1.5 HP	143TC	284 11.18"	175 6.89"	89 3.5"	133 5.25"	101.6 4"	140 5.5"	127 5"	120 4.72"	8.7 0.34"	356 14"	98 3.86"	38 1.5"	57.2 2.25"
		145TC	284 11.18"	175 6.89"	89 3.5"	133 5.25"	127 5"	140 5.5"	127 5"	120 4.72"	8.7 0.34"	356 14"	98 3.86"	38 1.5"	57.2 2.25"
2 HP	2 HP	145TC	284 11.18"	175 6.89"	89 3.5"	133 5.25"	127 5"	140 5.5"	127 5"	120 4.72"	8.7 0.34"	356 14"	98 3.86"	38 1.5"	57.2 2.25"
		182TC	340 13.39"	221 8.7"	114 4.5"	149 5.87"	114 4.5"	191 7.5"	108 4.25"	169 6.65"	10.3 0.41"	356 14"	98 3.86"	38 1.5"	69.9 2.75"
3 HP	3 HP	182TC	354 13.94"	221 8.7"	114 4.5"	149 5.87"	114 4.5"	191 7.5"	108 4.25"	169 6.65"	10.3 0.41"	356 14"	98 3.86"	38 1.5"	69.9 2.75"
		184TC	354 13.94"	221 8.7"	114 4.5"	149 5.87"	114 4.5"	191 7.5"	108 4.25"	169 6.65"	10.3 0.41"	356 14"	98 3.86"	38 1.5"	69.9 2.75"
5 HP	5 HP	184TC	354 13.94"	221 8.7"	114 4.5"	149 5.87"	114 4.5"	191 7.5"	108 4.25"	169 6.65"	10.3 0.41"	356 14"	98 3.86"	38 1.5"	69.9 2.75"
		184TC	423 16.65"	221 8.7"	114 4.5"	149 5.87"	114 4.5"	191 7.5"	108 4.25"	169 6.65"	10.3 0.41"	356 14"	98 3.86"	38 1.5"	69.9 2.75"
7.5 HP	7.5 HP	184TC	403 15.87"	260 10.25"	133 5.25"	187 7.38"	140 5.5"	216 8.5"	108 4.25"	169 6.65"	10.3 0.41"	356 14"	98 3.86"	38 1.5"	88.9 3.5"
		213TC	403 15.87"	260 10.25"	133 5.25"	187 7.38"	140 5.5"	216 8.5"	108 4.25"	169 6.65"	10.3 0.41"	356 14"	98 3.86"	38 1.5"	88.9 3.5"
10 HP	10 HP	215TC	403 15.87"	260 10.25"	133 5.25"	187 7.38"	140 5.5"	216 8.5"	108 4.25"	169 6.65"	10.3 0.41"	356 14"	98 3.86"	38 1.5"	88.9 3.5"
		215TC	416 16.38"	260 10.25"	133 5.25"	187 7.38"	140 5.5"	216 8.5"	108 4.25"	169 6.65"	10.3 0.41"	356 14"	98 3.86"	38 1.5"	88.9 3.5"
15 HP	15 HP	215TC	515 20.28"	260 10.25"	133 5.25"	187 7.38"	140 5.5"	216 8.5"	108 4.25"	169 6.65"	10.3 0.41"	356 14"	98 3.86"	38 1.5"	88.9 3.5"
		254TC	499 19.65"	327 12.87"	159 6.25"	244 9.63"	210 8.25"	254 10"	102 4"	169 6.65"	10.3 0.53"	406 16"	98 3.86"	38 1.5"	108.0 4.25"
20 HP	20 HP	256TC	499 19.65"	327 12.87"	159 6.25"	244 9.63"	210 8.25"	254 10"	102 4"	169 6.65"	10.3 0.53"	406 16"	98 3.86"	38 1.5"	108.0 4.25"
		256TC	499 19.65"	327 12.87"	159 6.25"	244 9.63"	210 8.25"	254 10"	102 4"	169 6.65"	10.3 0.53"	406 16"	98 3.86"	38 1.5"	108.0 4.25"
25 HP	25 HP	284TSC	588 23.15"	371 14.63"	178 7"	333 13.13"	241 9.5"	279 11"	121 4.75"	174 6.85"	13.5 0.53"	445 17.5"	118 4.63"	45 1.75"	120.7 4.75"
		284TC	588 23.15"	371 14.63"	178 7"	333 13.13"	241 9.5"	279 11"	121 4.75"	174 6.85"	13.5 0.53"	445 17.5"	118 4.63"	45 1.75"	120.7 4.75"
30 HP	30 HP	286TSC	588 23.15"	371 14.63"	178 7"	333 13.13"	241 9.5"	279 11"	121 4.75"	174 6.85"	13.5 0.53"	445 17.5"	118 4.63"	45 1.75"	120.7 4.75"
		286TC	588 23.15"	371 14.63"	178 7"	333 13.13"	241 9.5"	279 11"	121 4.75"	174 6.85"	13.5 0.53"	445 17.5"	118 4.63"	45 1.75"	120.7 4.75"
40 HP	40 HP	324TSC	636 25.04"	419 16.5"	203 8"	359 14.13"	267 10.5"	318 12.5"	121 4.75"	209 8.23"	16.7 0.66"	470 18.5"	118 4.63"	45 1.75"	133.4 5.25"
		324TC	636 25.04"	419 16.5"	203 8"	359 14.13"	267 10.5"	318 12.5"	121 4.75"	209 8.23"	16.7 0.66"	470 18.5"	118 4.63"	45 1.75"	133.4 5.25"
50 HP	50 HP	326TSC	636 25.04"	419 16.5"	203 8"	359 14.13"	267 10.5"	318 12.5"	121 4.75"	209 8.23"	16.7 0.66"	470 18.5"	118 4.63"	45 1.75"	133.4 5.25"
		326TC	636 25.04"	419 16.5"	203 8"	359 14.13"	267 10.5"	318 12.5"	121 4.75"	209 8.23"	16.7 0.66"	470 18.5"	118 4.63"	45 1.75"	133.4 5.25"

1265000463

Dimensional Drawing: FPR Double Flange



PUMP MODEL	INLET	OUTLET	A	B	C	D	E
FPR 751/752	3"	2"	205 8.07"	145 5.71"	99 3.9"	142 5.59"	379 14.92"
FPR 3451/3452	3"	2"	211 8.31"	140 5.51"	114 4.49"	160.5 6.32"	350 13.78"
FPR 3551/3552	3"	2.5"	230 9.08"	140 5.51"	119 4.69"	170 6.69"	350 13.78"
FPR 1051	4"	4"	250 9.84"	170 6.69"	167 6.57"	202.5 7.97"	406 15.98"
FPR 1161	4"	4"	250 9.84"	170 6.69"	110.5 4.35"	146 5.75"	406 15.98"

MOTOR HP		MOTOR	L	M	N	P	Q	R	S	T	V	W	X	Y	Z
1750 RPM	3500 RPM	FRAME													
3 HP	3 HP	182TC	313 12.32"	221 8.7"	114 4.5"	149 5.87"	114 4.5"	191 7.5"	108 4.25"	160 6.3"	10.3 0.41"	356 14"	98 3.86"	38 1.5"	69.9 2.75"
		182TC	348 13.7"	221 8.7"	114 4.5"	149 5.87"	114 4.5"	191 7.5"	108 4.25"	160 6.3"	10.3 0.41"	356 14"	98 3.86"	38 1.5"	69.9 2.75"
5 HP	5 HP	184TC	347 13.66"	221 8.7"	114 4.5"	149 5.87"	114 4.5"	191 7.5"	108 4.25"	160 6.3"	10.3 0.41"	356 14"	98 3.86"	38 1.5"	69.9 2.75"
		184TC	386 15.2"	221 8.7"	114 4.5"	149 5.87"	114 4.5"	191 7.5"	108 4.25"	160 6.3"	10.3 0.41"	356 14"	98 3.86"	38 1.5"	69.9 2.75"
7.5 HP	7.5 HP	184TC	386 15.2"	221 8.7"	114 4.5"	149 5.87"	114 4.5"	191 7.5"	108 4.25"	160 6.3"	10.3 0.41"	356 14"	98 3.86"	38 1.5"	69.9 2.75"
		213TC	388 15.28"	260 10.25"	133 5.25"	187 7.38"	140 5.5"	216 8.5"	108 4.25"	160 6.3"	10.3 0.41"	356 14"	98 3.86"	38 1.5"	88.9 3.5"
10 HP	10 HP	215TC	388 15.28"	260 10.25"	133 5.25"	187 7.38"	140 5.5"	216 8.5"	108 4.25"	160 6.3"	10.3 0.41"	356 14"	98 3.86"	38 1.5"	88.9 3.5"
		215TC	436 17.17"	260 10.25"	133 5.25"	187 7.38"	140 5.5"	216 8.5"	108 4.25"	160 6.3"	10.3 0.41"	356 14"	98 3.86"	38 1.5"	88.9 3.5"
15 HP	15 HP	254TC	447 17.6"	327 12.87"	159 6.25"	244 9.63"	210 8.25"	254 10"	102 4"	160 6.3"	13.5 0.53"	406 16"	98 3.86"	38 1.5"	108.0 4.25"
		256TC	491 19.33"	327 12.87"	159 6.25"	244 9.63"	210 8.25"	254 10"	102 4"	160 6.3"	13.5 0.53"	406 16"	98 3.86"	38 1.5"	108.0 4.25"
20 HP	20 HP	256TC	499 19.65"	327 12.87"	159 6.25"	244 9.63"	210 8.25"	254 10"	102 4"	160 6.3"	13.5 0.53"	406 16"	98 3.86"	38 1.5"	108.0 4.25"
		256TC	499 19.65"	327 12.87"	159 6.25"	244 9.63"	210 8.25"	254 10"	102 4"	160 6.3"	13.5 0.53"	406 16"	98 3.86"	38 1.5"	108.0 4.25"
25 HP	25 HP	284TSC	588 23.15"	371 14.63"	178 7"	333 13.13"	241 9.5"	279 11"	121 4.75"	174 6.85"	13.5 0.53"	445 17.5"	118 4.63"	45 1.75"	121.0 4.75"
		284TC	588 23.15"	371 14.63"	178 7"	333 13.13"	241 9.5"	279 11"	121 4.75"	174 6.85"	13.5 0.53"	445 17.5"	118 4.63"	45 1.75"	121.0 4.75"
30 HP	30 HP	286TSC	588 23.15"	371 14.63"	178 7"	333 13.13"	241 9.5"	279 11"	121 4.75"	174 6.85"	13.5 0.53"	445 17.5"	118 4.63"	45 1.75"	121.0 4.75"
		286TC	588 23.15"	371 14.63"	178 7"	333 13.13"	241 9.5"	279 11"	121 4.75"	174 6.85"	13.5 0.53"	445 17.5"	118 4.63"	45 1.75"	121.0 4.75"
40 HP	40 HP	324TSC	636 25.04"	419 16.5"	203 8"	359 14.13"	267 10.5"	318 12.5"	121 4.75"	209 8.23"	16.7 0.66"	470 18.5"	118 4.63"	45 1.75"	133.4 5.25"
		324TC	636 25.04"	419 16.5"	203 8"	359 14.13"	267 10.5"	318 12.5"	121 4.75"	209 8.23"	16.7 0.66"	470 18.5"	118 4.63"	45 1.75"	133.4 5.25"
50 HP	50 HP	326TSC	636 25.04"	419 16.5"	203 8"	359 14.13"	267 10.5"	318 12.5"	121 4.75"	209 8.23"	16.7 0.66"	470 18.5"	118 4.63"	45 1.75"	133.4 5.25"
		326TC	636 25.04"	419 16.5"	203 8"	359 14.13"	267 10.5"	318 12.5"	121 4.75"	209 8.23"	16.7 0.66"	470 18.5"	118 4.63"	45 1.75"	133.4 5.25"
60 HP	60 HP	364TSC	685 26.97"	470 18.5"	229 9"	383 15.06"	286 11.25"	356 14"	8						



**Designed, Manufactured &
Assembled in Middleton, WI**





CENTRIFUGAL



POSITIVE DISPLACEMENT



MIXING & BLENDING