



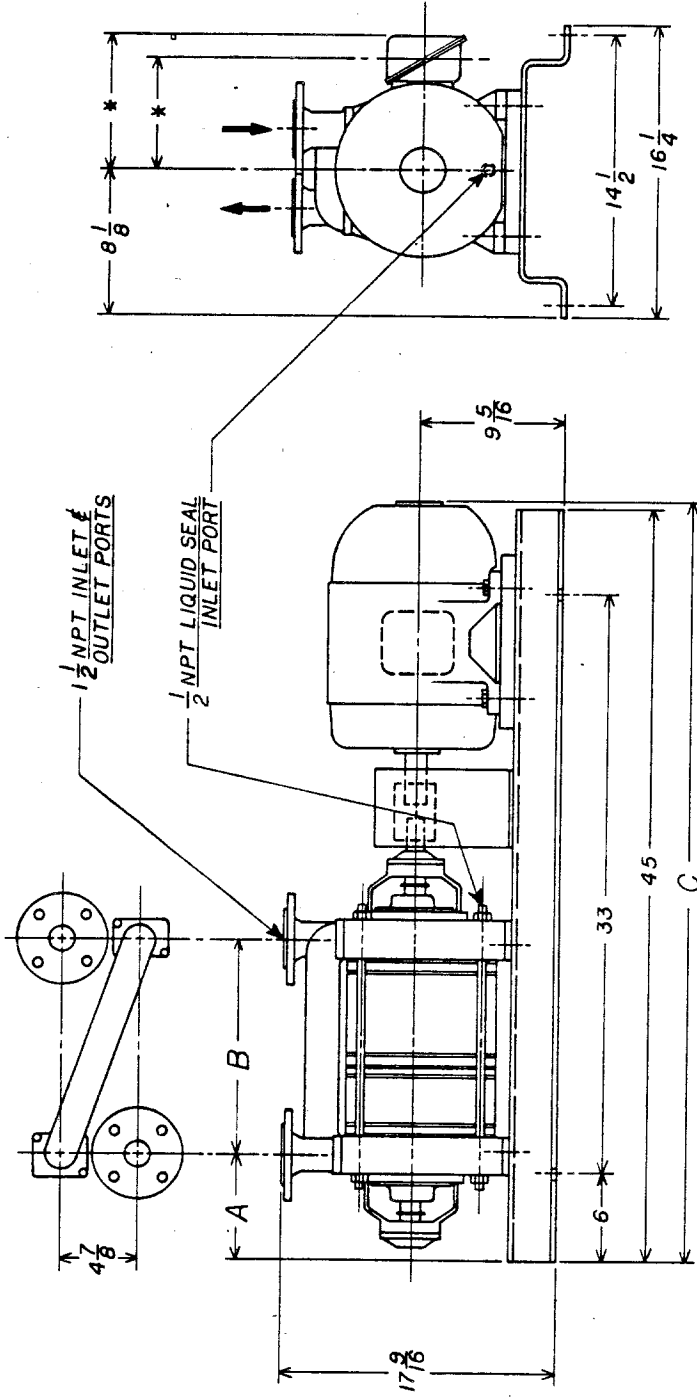
SULLAIR VACUUM SYSTEMS, INC.

3700 EAST MICHIGAN BLVD.
MICHIGAN CITY, INDIANA 46360

SECTION 500

DATE 11/1/80

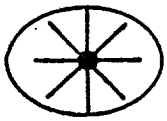
PAGE 548



CHANGE NO.	ZONE	DATE	DESCRIPTION	BY	EN NO.
	NONE		INSTALLATION DRAWING FOR LIQUID RING VACUUM PUMP-MODELS SL 422-SL 423		
			MATERIAL		
			HARDNESS		
			WEIGHT		
			CLASS	400	
			PRODUCT CODE	SHEET	OF
SULLAIR CORPORATION			MICHIGAN CITY, INDIANA	002790	

* DIMENSION MAY VARY
DEPENDING ON MOTOR MFR.

MODELS	A	B	C	WGT.	HP	RPM	MOTOR
SL 422	8 1/2	11 3/32	43 5/16	355	7 1/2	1750	
SL 423	5 3/4	13 7/8	45 5/16	400	10	1750	



SULLAIR VACUUM SYSTEMS, INC.

3700 EAST MICHIGAN BLVD.
MICHIGAN CITY, INDIANA 46360

Pump Model SL 422

Speed 1750 RPM

Page 324

DATA BASED ON: Barometric pressure of 29.92 "Hg (760 Torr) 50% Relative Humidity (tolerance 10%) Sealing water temperature of 60°F

INLET CAPACITY IN ACFM

BRAKE HORSEPOWER

