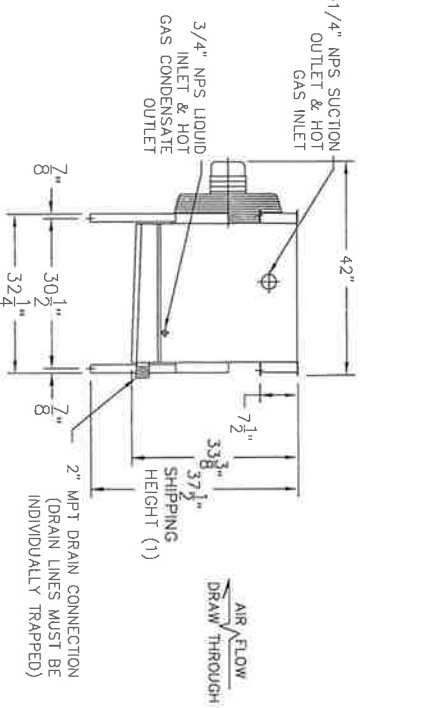
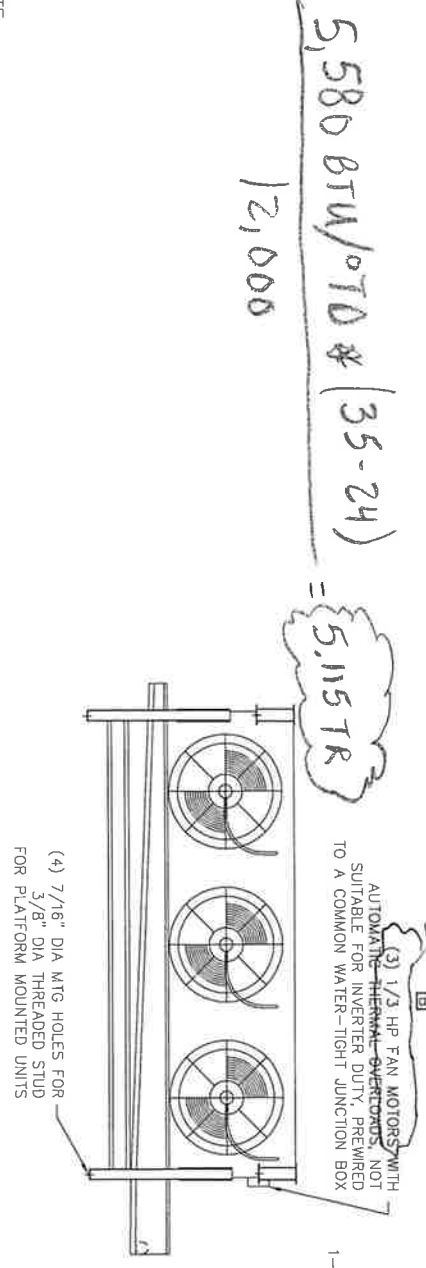
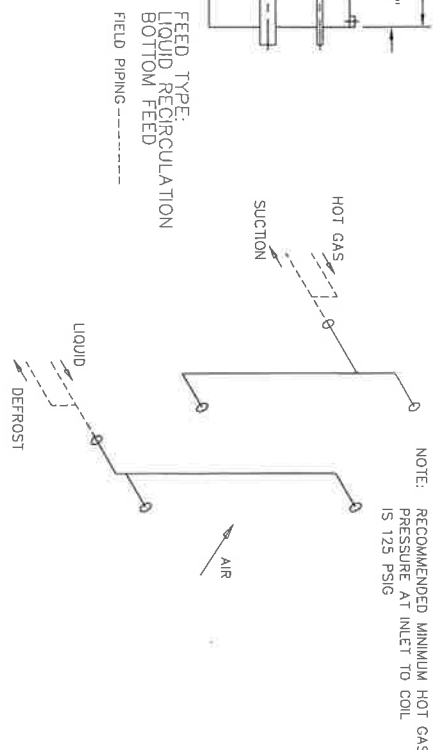
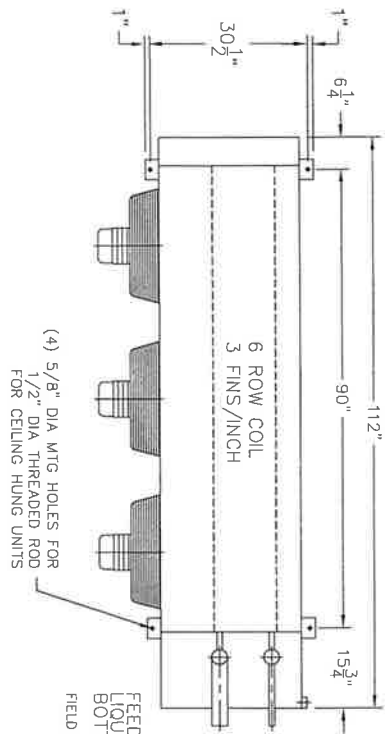


DATA FOR PUMP RECIRCULATED FEED (LB):  
 1.50 GPM 20°F LIQUID PUMPED AT 4:1 FEED RATE TO  
 1.00 PSIG ABOVE SUCTION PRESSURE AT LIQUID INLET.



NOTE:  
 1. THIS UNIT IS NOT DESIGNED TO SUPPORT ANY ADDITIONAL PIPING OR VALVES.

STANDARD UNIT DATA:

PERFORMANCE DATA:

CASING: MILL GALVANIZED STEEL HOUSING  
 PAN: MILL GALVANIZED STEEL,  
 INSULATED W/ MILL GALVANIZED COVER.  
 COIL CONSTRUCTION: HOT DIP GALVANIZED STEEL.  
 2 RH NUMBER OF UNITS  
 1,566 SHIPPING WEIGHT (LBS)  
 2,17 COIL INTERNAL VOLUME (CUBIC FEET)  
 250 MAX ALLOWABLE WORKING PRESSURE (PSIG)

5.115 CAPACITY (TONS)  
 24 MAX. SUCTION TEMPERATURE (°F)  
 35 ROOM TEMPERATURE (°F)  
 R-717 REFRIGERANT  
 9,372 AIR FLOW (CFM)  
 0 EXTERNAL STATIC (IN. WATER)  
 460-3-60 MOTOR VOLTAGE (TEAO)  
 .90 MOTOR FLA EACH  
 1140 MOTOR SPEED (RPM)

REV	TO	DESCRIPTION	DATE	BY	SA
B	REV TO 1/3 MOTOR HP		9/3/03		SA
A	REV TO HOT GAS COIL PER SALES		7/19/03		SA

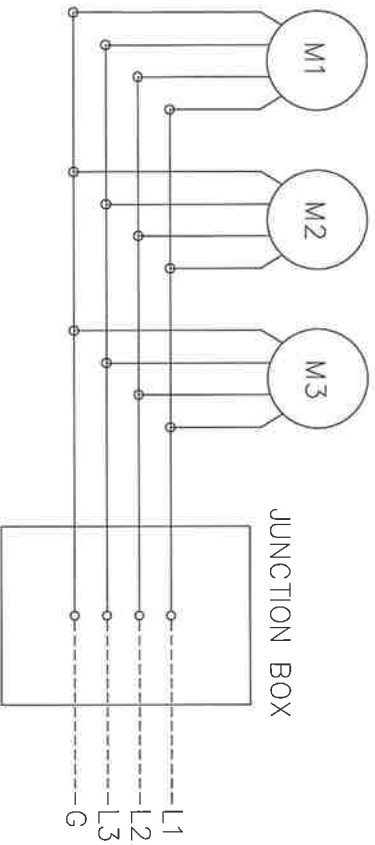
DO NOT SCALE PRINT WORK TO DIMENSIONS  
 ALL DIMENSIONS ARE ± 1/2"  
 REVISIONS  
 LOCATION: HANOVER PA  
 ELEVATION: 0 FT.  
 UNIT TAG: AV-7, 8 35°F UNPROCESSED BEAN STORAGE  
 MODEL: SCS-363SH-D-LB-HC-E-W-GG-R  
 DATE: 5/31/03 DRAWN BY: SDA  
 PAGE: 1 OF 2 DRAWING #: 370650500

YORK Refrigeration Systems  
 FRICK

5,580 BTU/OTD \* (35-24)  
 12,000  
 = 5.115 TR

(1) REMOVABLE SHIPPING LEGS ARE SUITABLE FOR PLATFORM MOUNTING. MOUNTING DIMENSIONS HAVE THE SAME CENTERS AS FOR THE HANGER.

# MOTOR WIRING DIAGRAM



.90 FLA EACH  
 460-3-60 VOLTAGE

IMECO SQ# 37065	FRICK SQ# 281447												
CUSTOMER PO# 12777													
<table border="1"> <thead> <tr> <th>REV</th> <th>DESCRIPTION</th> <th>DATE</th> <th>BY</th> </tr> </thead> <tbody> <tr> <td>A</td> <td>REV TO HOT GAS COIL PER SALES</td> <td>7/19/03</td> <td>SDA</td> </tr> <tr> <td>LTR</td> <td></td> <td></td> <td></td> </tr> </tbody> </table>		REV	DESCRIPTION	DATE	BY	A	REV TO HOT GAS COIL PER SALES	7/19/03	SDA	LTR			
REV	DESCRIPTION	DATE	BY										
A	REV TO HOT GAS COIL PER SALES	7/19/03	SDA										
LTR													
DO NOT SCALE PRINT WORK TO DIMENSIONS ARE ± 1/2"													
REVISIONS ALL DIMENSIONS ARE ± 1/2"	DRAWN BY: SDA DRAWING #: 370650500 UNIT TAG: AU-7, 8 35F UNPROCESSED BEAN STORAGE												
DATE: 5/31/03 PAGE: 2 OF 2													

