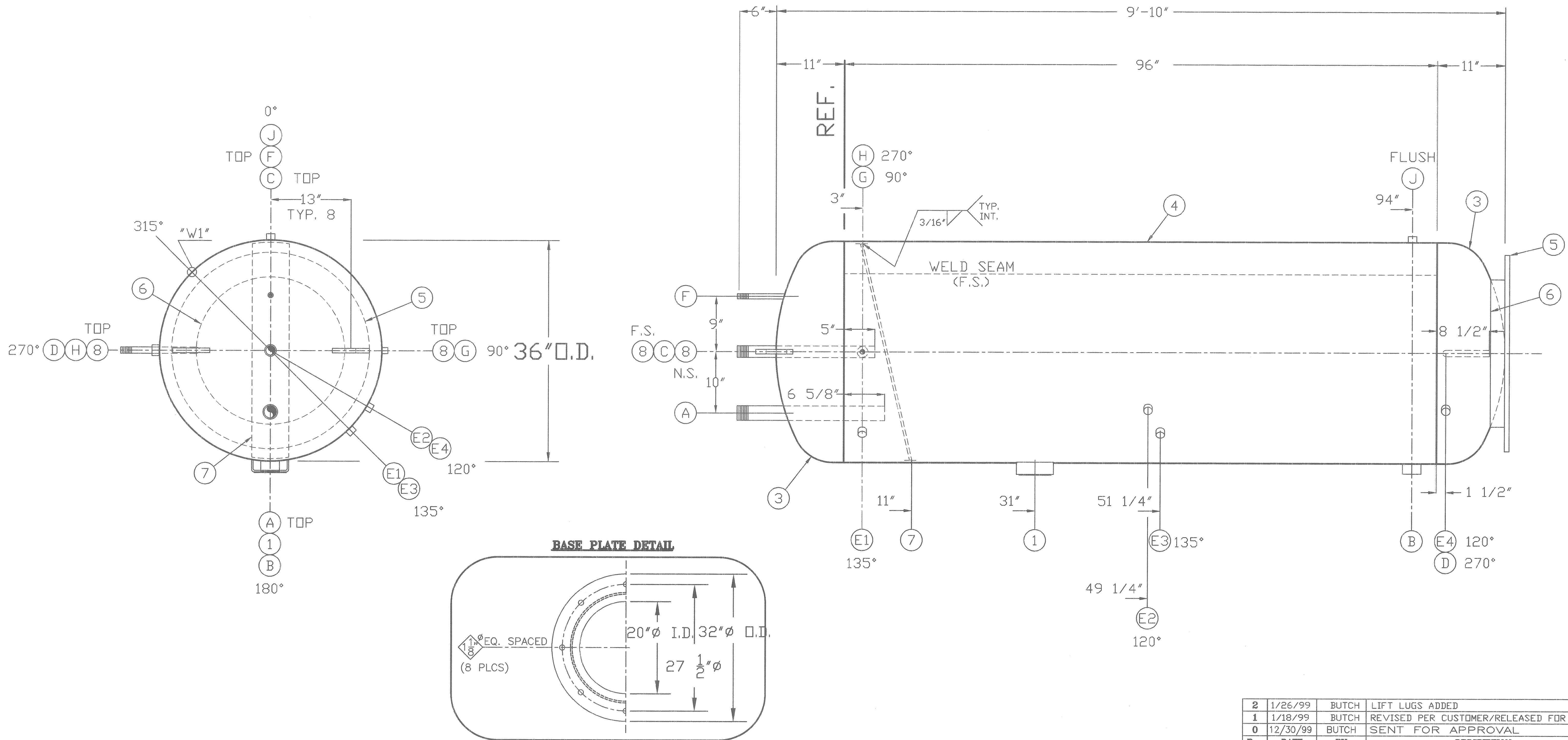
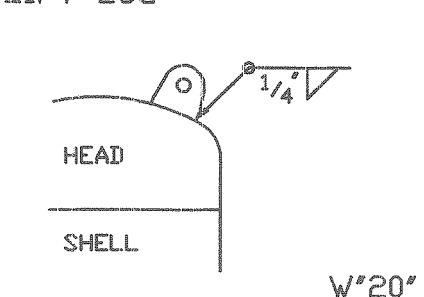
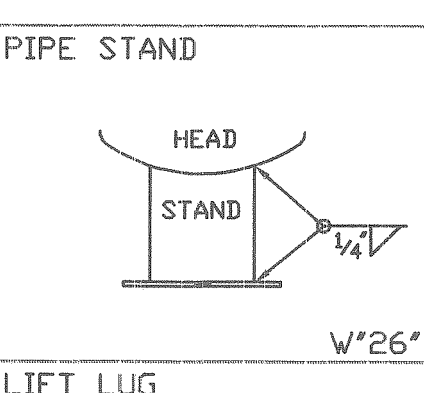
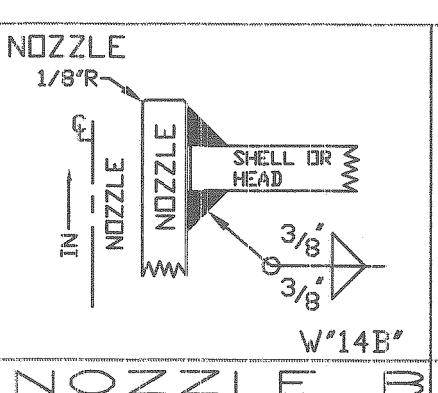
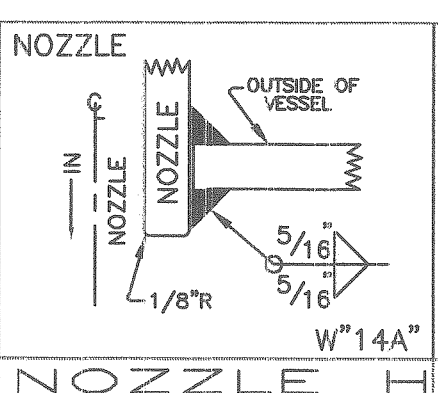
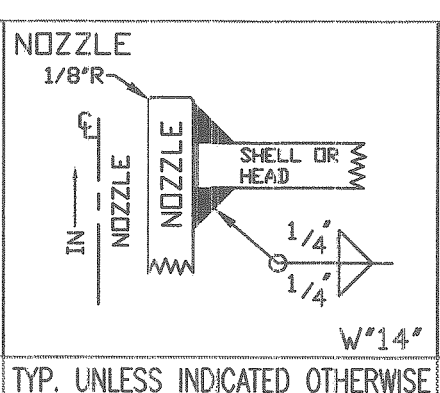
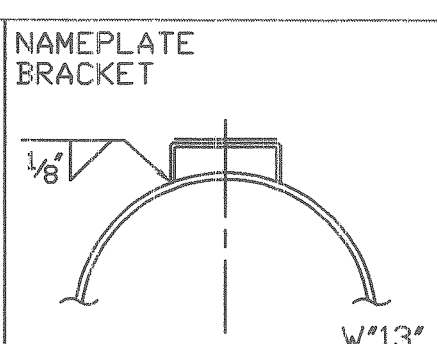
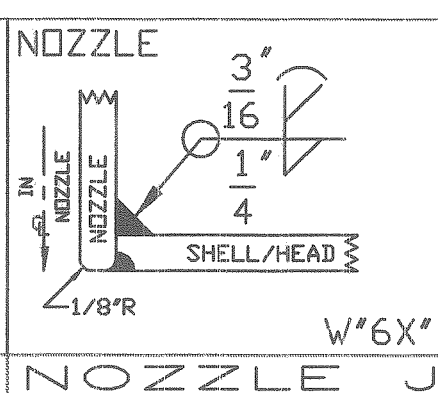
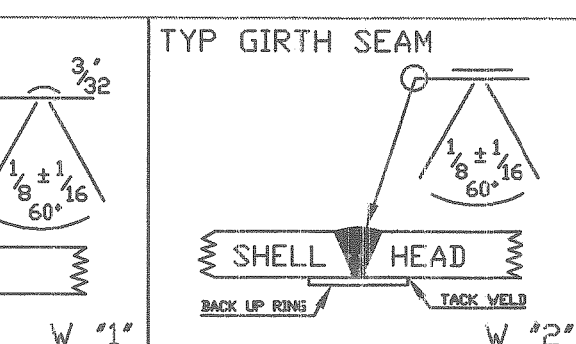
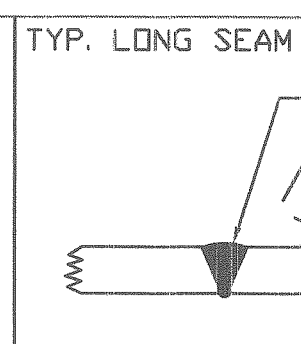
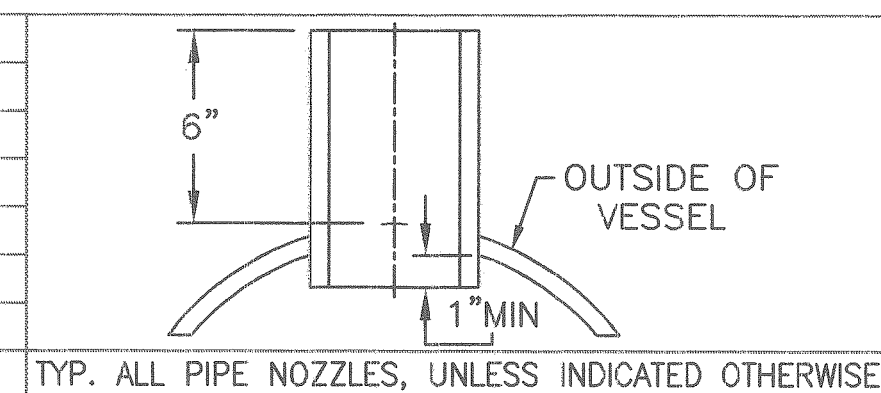


GENERAL NOTES

- 1) SA53B SMLS PIPE MAY BE SUBSTITUTED FOR SA106B SMLS PIPE.
- 2) SA516-70 PLATE MAY BE SUBSTITUTED FOR SA36 PLATE.
- 3) FABRICATION TOLERANCES PER RVS SHOP PROCEDURE NO. T-701.
- 4) ALL BOLT HOLES STRADDLE CENTERLINE UNLESS INDICATED OTHERWISE.
- 5) ALL CPLGS EXTEND INSIDE FOR WELDING UNLESS INDICATED OTHERWISE.

PROCESS	WPS NO.	ELECTRODE
GTAW	109	ER70S-2
SMAW	1002	E7018
FCAW	1005	E71T-1
GMAW-S	2002	ER70S-3
SAW	5005	L61 WIRE/960 FLUX



TEST WITH NOZZLE J ON BOTTOM.

TEST WITH OIL

APPROX. VOL: 481 GAL.

NATIONAL BOARD NO. []

CERTIFIED BY REFRIGERATION VALVES and SYSTEMS CORPORATION BRYAN, TEXAS

U

W

MWP: 250 PSI AT 300 °F

MMT: -20 °F AT 250 PSI

SERIAL NO. 981085 YEAR BUILT 1999

BILL of MATERIALS

NOZZLE SCHEDULE						SHELL, HEADS, INTERNALS, & SUPPORTS						
ITEM	QTY	SIZE	TYPE	RATING	MATERIAL	ITEM	QTY	SIZE	TYPE	RATING	MATERIAL	LENGTH
J	1	3/4"	CPLG	3000#	SA105	TEST DRAIN						
H	1	1"	CPLG	3000#	SA105	EQUAL	8	2	STD		SA36	6"
F	1	1/2"	CPLG	3000#	SA105	PURGE	7	1	6"		SA36	36 1/8"
G	1	1/2"	PIPE(TOE)	S/80	SA106B	RELIEF	6	1	24"		SA53B-ERW	2 5/16"
E	4	3/4"	CPLG	3000#	SA105	GAGE GLASS CONN.	5	1	32"OD X 20"ID		SA36	
D	1	3/4"	PIPE	S/80	SA106B	OIL DRAIN	21	1/2"	4	1	36" O.D.	96"
C	1	1 1/2"	PIPE(TOE)	S/80	SA106B	LIQUID INLET	22	2	36" O.D.		SA516-70	
B	1	2"	CPLG	3000#	SA105	LIQUID OUTLET	2	2	1 1/2"		SA516-70	
A	1	2"	PIPE(TOE)	S/40	SA106B	LIQUID INLET	23	5/8"	1	1	2"	114"
											SA36	
											SA36	

2	1/26/99	BUTCH	LIFT LUGS ADDED	BUTCH 1/26/99
1	1/18/99	BUTCH	REVISED PER CUSTOMER/RELEASED FOR FAB.	BUTCH 1/18/99
0	12/30/99	BUTCH	SENT FOR APPROVAL	BUTCH 12/30/99
Rev.	DATE	BY	DESCRIPTION	APRV'D
SHIPPING DIMS: _____ Wt x _____ Ht x _____ LNG x 1.800 Lbs DRY				
CUSTOMER: REFRIGERATION UNLIMITED				P.O. 23707
VESSEL DESIGN SPECIFICATIONS DESIGN & CONSTRUCTION IN ACCORDANCE WITH SECTION VIII DIV. 1 ASME CODE FOR PRESSURE VESSELS 1995 EDITION & ADDENDA TO A97				
SHELL: SA516-70 3/8" (.364" MIN.) CA: 0				
HEADS: SA516-70 3/8" (.298" MIN.) 2:1 CA: 0				
M.A.W.P.: 250 P.S.I. HYDROTTEST: 375 P.S.I.				
-20 °F To 300 °F				
HT: LONG: NONE / GIRTH: NONE HT: NONE				
PAINT: SSPC-SP6, TEAL PRIMER				
TITLE: 36" O.D. X 9'-10" ASME 250# VERT. HIGH PRESSURE RECEIVER				
DRAWN B.H. 12/30/99 CHK'D B.H. 12/30/98 SCALE: 1 1/2" = 1'-0"				
APRV'D B.H. 1/18/99 BY: B.H. 1/18/99 S/N: 981085				
EVAPCO, INC. 1620 CROSSWIND DRIVE, BRYAN, TX. 77808				REV. 2